



All loading and design criteria supplied by customer is assumed accurate. Only the stated Design Assumptions were considered, and must be verified by the responsible Engineer of Record (EOR). The basis of Hilti component and connection design is the published data in the current Hilti Technical Guide, including material and cross-section properties, allowable load values, factors of safety, methods of calculation, and limiting factors. The EOR must verify suitability for any specific application, and the capacity of the supportive structure to receive the shown configuration and associated reaction loads. Modification to components and/or design may alter performance and must be evaluated by the EOR.

TYPICAL DETAIL TYPE:
CABLE TRAY SUPPORT

TYPICAL DETAIL DESCRIPTION:
CANTILEVER

DESIGNED BY: KL	REVIEWED BY: AJV
--------------------	---------------------

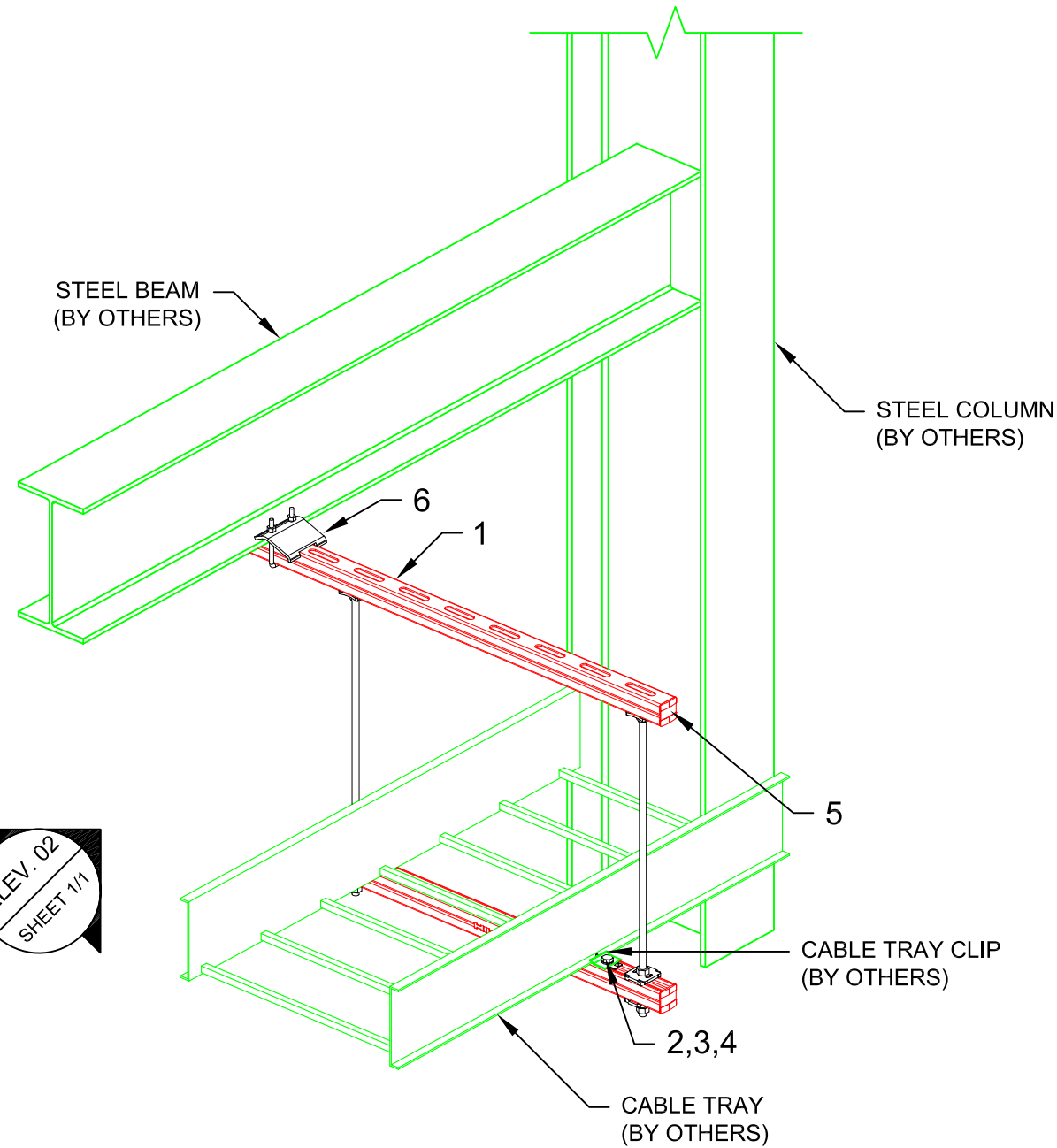
DRAWN BY: BAP	ISSUE DATE: 04 DEC 14
------------------	--------------------------

REVISIONS:

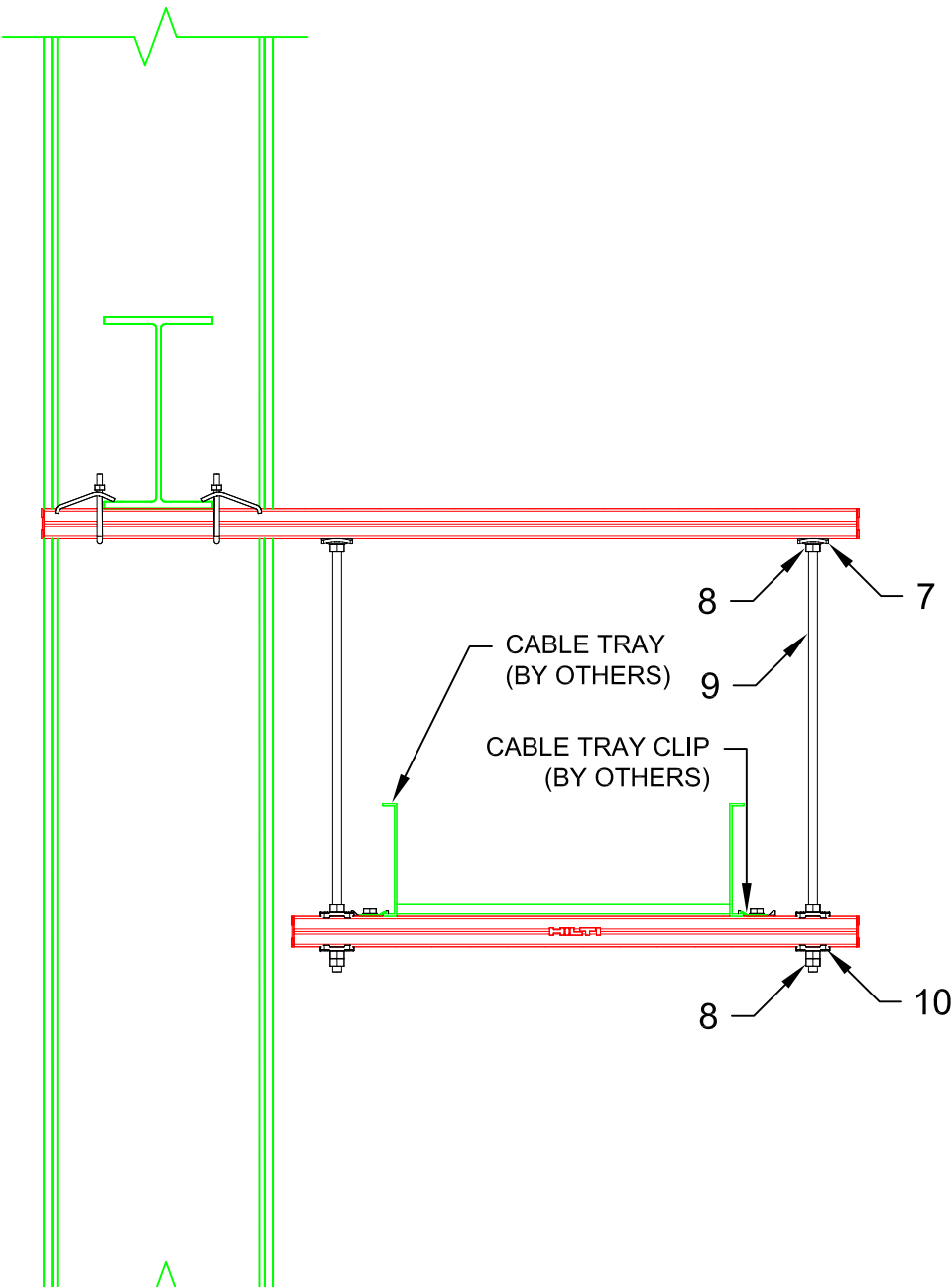
NO.	DESCRIPTION:	DATE:
A	ORIGINAL ISSUE	04 DEC 14

TYPICAL DETAIL NOMENCLATURE:
CT-C51-S

DRAWING NUMBER: 01	SHEET: 1/1
-----------------------	---------------



01 ISOMETRIC
N.T.S.



02 ELEVATION
N.T.S.

No.	Unit Qty	Unit	Description	Box Qty	# Boxes Needed	Item No.
1	AS REQ'D	EA	STRUT HS-158-12/PG 10'	1	AS REQ'D	407555
2	AS REQ'D	EA	WING NUT MQM-F3/8"	50	AS REQ'D	377882
3	AS REQ'D	EA	HEX HEAD BOLT 3/8" x 1-1/4"	100	AS REQ'D	411764
4	AS REQ'D	EA	WASHER 3/8"	200	AS REQ'D	411757
5	AS REQ'D	EA	CHANNEL END CAP MEK RED	50	AS REQ'D	244886
6	AS REQ'D	EA	STRUT BEAM CLAMP MQT-21-41-F	10	AS REQ'D	304190
7	AS REQ'D	EA	SADDLE NUT MQA-F1/2"-F	25	AS REQ'D	304144
8	AS REQ'D	EA	HEX NUT-HEAVY DUTY 1/2"	100	AS REQ'D	411753
9	AS REQ'D	EA	THREADED ROD 1/2"-6' ZINC	12	AS REQ'D	257965
10	AS REQ'D	EA	BASE PLATE MQZ-L1/2"	20	AS REQ'D	370633

- NOTE(S):
- PRELIMINARY NOT FOR CONSTRUCTION
 - DESIGN ASSUMPTIONS:
 - NO LOADS CONSIDERED - CONCEPT ONLY
 - LATERAL LOADS NOT CONSIDERED
 - BUILDING CODE: NOT SPECIFIED
 - CORROSION RESISTANCE REQ'D.: NOT SPECIFIED
 - REFER TO COMPONENT MANUFACTURER'S IFUs FOR REQUIRED INSTALLATION INFO.
 - E.O.R. MUST BE NOTIFIED OF ANY DEVIATIONS FROM EXISTING/ NEW SUBSTRATE CONDITIONS SHOWN HEREIN TO VALIDATE ACCEPTANCE OF THIS HILTI DESIGN PRIOR TO INSTALLATION.

\\hilti.com\US\TEAMS\installations\Projects\TYPICALS\CABLE TRAY (CT)\CAD\CT-C51-S.dwg, 12/23/2014 2:22:27 PM

ELEV. 02
SHEET 1/1