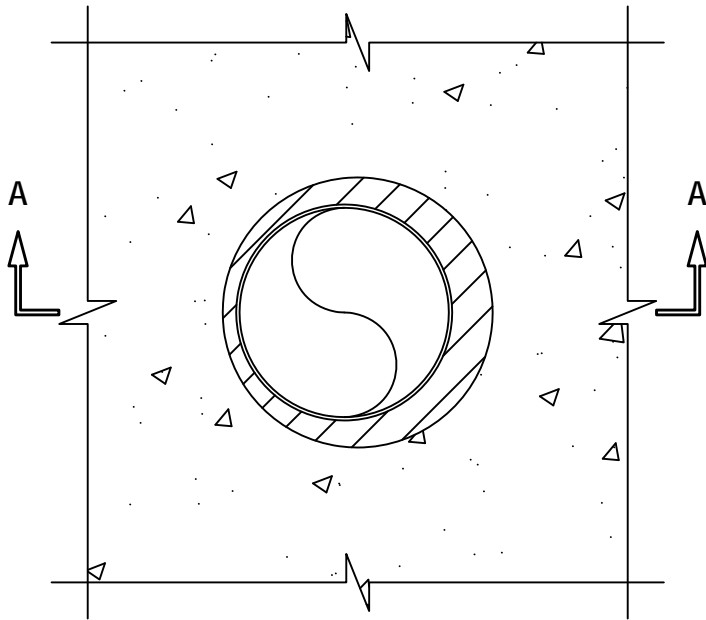


SHEET METAL DUCT THROUGH CONCRETE FLOOR/WALL OR BLOCK WALL ASSEMBLY

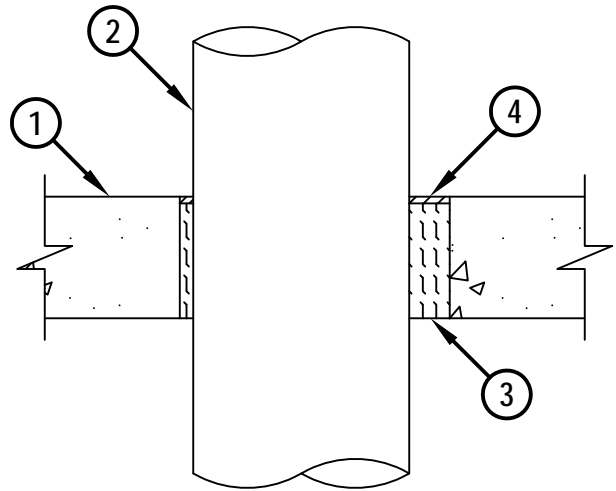
F-RATING = 2-HR.
T-RATING = 1/4-HR.

CAJ7149a.122613

TOP VIEW



SECTION A-A



1. CONCRETE FLOOR OR WALL ASSEMBLY (2-HR. FIRE-RATING) :
 - A. LIGHTWEIGHT OR NORMAL WEIGHT CONCRETE FLOOR OR WALL (MINIMUM 4-1/2" THICK).
 - B. ANY UL/cUL CLASSIFIED CONCRETE BLOCK WALL.
2. MAXIMUM 8" NOMINAL DIAMETER STEEL SHEET METAL DUCT (MIN. 26 GA.).
3. MINIMUM 4-1/4" THICKNESS MINERAL WOOL SAFFING (MIN. 4 PCF DENSITY) TIGHTLY PACKED.
4. MINIMUM 1/4" DEPTH HILTI CFS-S SIL GG FIRESTOP SILICONE FIRESTOP SEALANT OR HILTI CFS-S SIL SL FIRESTOP SILICONE SEALANT (FLOORS ONLY).

NOTES : 1. MAXIMUM DIAMETER OF OPENING = 10".
 2. ANNULAR SPACE = MINIMUM 1/4", MAXIMUM 1-3/4".
 3. MINIMUM 1/4" DEPTH HILTI CFS-S SIL GG FIRESTOP SILICONE SEALANT IS REQUIRED ON EACH SIDE OF A WALL.



HILTI, Inc.
Tulsa, Oklahoma USA (800) 879-8000

Sheet	1 of 1
Scale	9/64" = 1"
Date	Dec. 26, 2013

Drawing No.
**CAJ
7149a**