

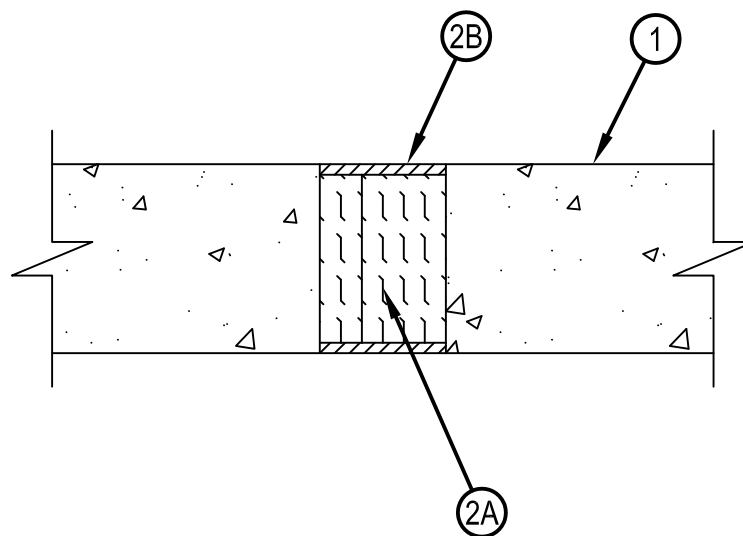


Classified by
Underwriters Laboratories, Inc.
to UL 2079 and CAN/ULC-S115

System No. WW-D-1128

WW-D-1128

ANSI/UL2079	CAN/ULC S115
Assembly Rating — 4 Hr	F Rating — 4 Hr
Nominal Joint Width - 3 In.	FT Rating — 4 Hr
Class II Movement Capabilities — 12.5% Compression or Extension	FH Rating — 4 Hr
L Rating at Ambient — Less than 1 CFM/Lin. Ft.	FTH Rating — 4 Hr
L Rating at 400° F — Less than 1 CFM/Lin. Ft.	Nominal Joint Width - 3 In.
	Class II Movement Capabilities — 12.5% Compression or Extension
	L Rating at Ambient — Less than 1 CFM/Lin. Ft.
	L Rating at 400° F — Less than 1 CFM/Lin. Ft.



1. Wall Assembly — Min 5-1/2 in. (140 mm) thick reinforced lightweight or normal weight (100-150 pcf (1600-2400 kg/cu meter)) structural concrete. Wall may also be constructed of any UL Classified Concrete Blocks*.

See Concrete Blocks (CAZT) category in the Fire Resistance Directory for names of manufacturers.

2. Joint System — Max width of joint (at time of installation of joint) is 3 in. (76 mm). The joint system is designed to accommodate a max 12.5 percent compression or extension from it's installed width. The joint system shall consist of the following:

A. Forming Material* — Min 4.0 pcf (64 kg/cu meter) mineral wool batt insulation installed in joint opening as a permanent form. Pieces of batt cut to min width of 5 in. (127 mm) and installed edge-first into joint opening, parallel with joint direction, such that batt sections are compressed min 50 percent in thickness and such that the compressed batt sections are recessed from both surfaces of wall to accommodate the required thickness of fill material.

IIG MINWOOL L L C — MinWool-1200 Safing

JOHNS MANVILLE INTERNATIONAL INC — Safing

ROCK WOOL MANUFACTURING CO — FBX Safing Insulation

THERMAFIBER INC — SAF Mineral Wool

B. Fill, Void or Cavity Material* — (Caulk) — Min 1/4 in. (6 mm) thickness of fill material applied within the joint, flush with both surfaces of wall.

HILTI CONSTRUCTION CHEMICALS, DIV OF HILTI INC — CFS-S SIL GG

* Indicates such products shall bear the UL or cUL Certification Mark for jurisdictions employing the UL or cUL Certification (such as Canada), respectively.



Hilti Firestop Systems

Reproduced by HILTI, Inc. Courtesy of
Underwriters Laboratories, Inc.
October 21, 2015