

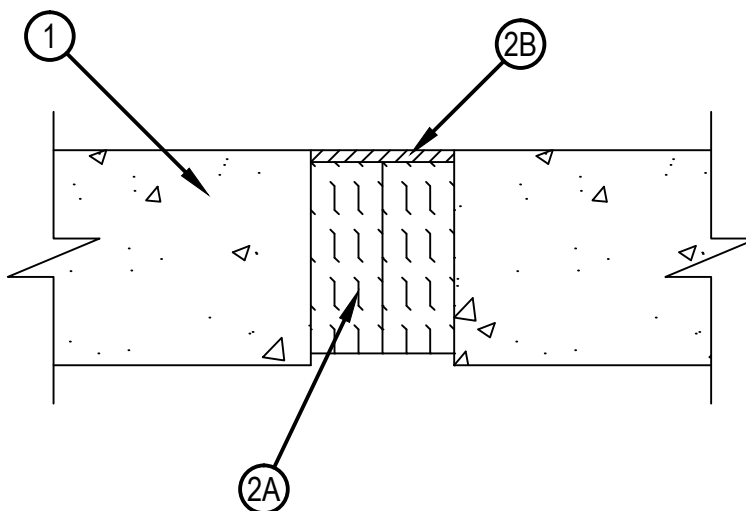


Classified by
Underwriters Laboratories, Inc.
to UL 2079 and CAN/ULC-S115

System No. FF-D-1126

FFD 1126

ANSI/UL2079	CAN/ULC S115
Assembly Rating — 2 Hr	F Rating — 2 Hr
Nominal Joint Width - 3 In.	FT Rating — 2 Hr
Class II Movement Capabilities — 33% Compression or Extension	FH Rating — 2 Hr
L Rating at Ambient — Less than 1 CFM/Lin. Ft.	FTH Rating — 2 Hr
L Rating at 400° F — Less than 1 CFM/Lin. Ft.	Nominal Joint Width - 3 In.
	Class II Movement Capabilities — 33% Compression or Extension
	L Rating at Ambient — Less than 1 CFM/Lin. Ft.
	L Rating at 400° F — Less than 1 CFM/Lin. Ft.



1. Floor Assembly — Min 4-1/2 in. (114 mm) thick reinforced lightweight or normal weight (100-150 pcf (1600-2400 kg/cu meter) structural concrete.
2. Joint System — Max width of joint (at time of installation of joint system) is 3 in. (76 mm). The joint system is designed to accommodate a max 33 percent compression or extension from its installed width. The joint system shall consist of the following:
 - A. Forming Material* — Min 4 pcf (64 kg/cu meter) mineral wool batt insulation installed in joint opening as a permanent form. Pieces of batt cut to min width of 4 in. (102 mm) and installed edge-first into joint opening, parallel with joint direction, such that batt sections are compressed min 50 percent in thickness and that the compressed batt sections are recessed from top surface of the floor to accommodate the required thickness of fill material.
ROCK WOOL MANUFACTURING CO — Delta Board
IIG MINWOOL L L C — MinWool-1200 Safing
THERMAFIBER INC — SAF Mineral Wool
 - B. Fill, Void or Cavity Material* - Sealant — Min 1/4 in. (6 mm) thickness of fill material applied within the annulus, flush with top surface of floor.
HILTI CONSTRUCTION CHEMICALS, DIV OF HILTI INC — CFS-S SIL GG or CFS-S SIL SL

*Bearing the UL Classification Mark



Hilti Firestop Systems

Reproduced by HILTI, Inc. Courtesy of
Underwriters Laboratories, Inc.
December 26, 2013