

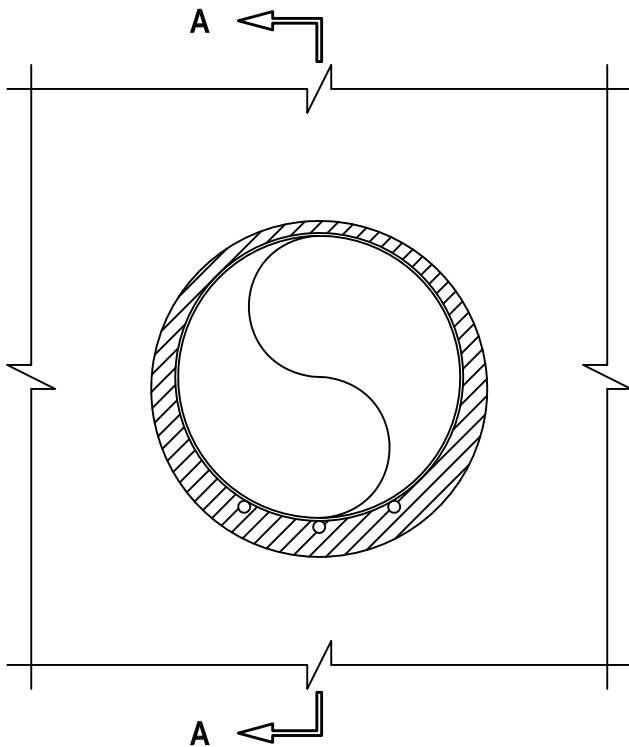
**STEEL TUBE AND CABLES THROUGH GYPSUM WALL**

F-RATING = 1-HR. OR 2-HR.

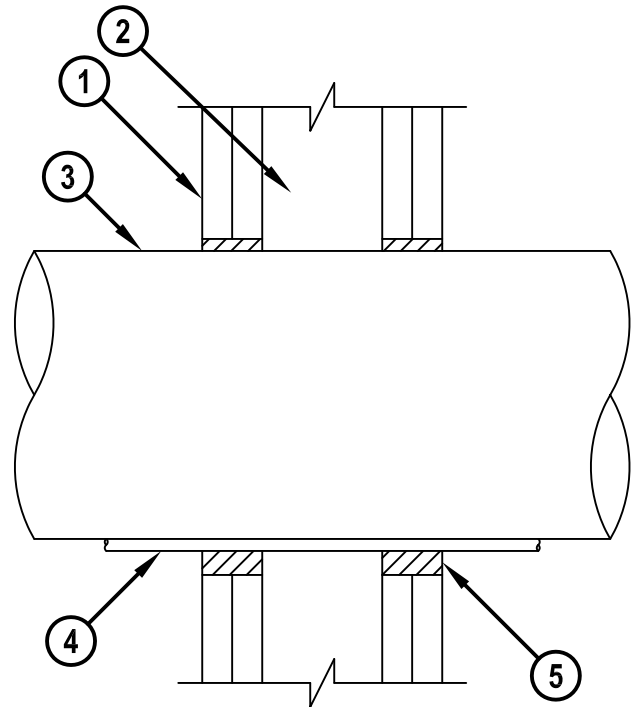
T-RATING = 0-HR.

WL8023d.011515

**FRONT VIEW**



**SECTION A-A**



1. GYPSUM WALL ASSEMBLY (UL/cUL CLASSIFIED U300, U400, OR V400) (1-HR. OR 2-HR. FIRE-RATING) (2-HR. SHOWN).
2. [NOT SHOWN] WOOD STUDS TO CONSIST OF NOMINAL 2" x 4" LUMBER. STEEL STUDS TO BE MINIMUM 2-1/2" WIDE.
3. MAXIMUM 6" NOMINAL DIAMETER STEEL TUBE (16 GAUGE).
4. TWO PAIR NO. 22 AWG FOIL SHIELDED COMMUNICATION CABLES (MAX. QTY. = 3).
5. HILTI FS-ONE MAX OR FS-ONE INTUMESCENT FIRESTOP SEALANT :
  - A. MINIMUM 5/8" DEPTH, FOR A 1-HR. FIRE-RATING.
  - B. MINIMUM 1-1/4" DEPTH, FOR A 2-HR. FIRE-RATING.

**NOTES :** 1. MAXIMUM DIAMETER OF OPENING = 7".  
 2. ANNULAR SPACE BETWEEN TUBE AND PERIPHERY OF OPENING = MIN. 1/4", MAX. 3/4".  
 3. ANNULAR SPACE BETWEEN CABLES AND PERIPHERY OF OPENING = MIN. 1/4".  
 4. ANNULAR SPACE BETWEEN CABLES AND STEEL TUBE = MIN. 0", MAX. 1".  
 5. PENETRANTS MAY BE INSTALLED AT AN ANGLE NOT GREATER THAN 45° FROM PERPENDICULAR.



HILTI, Inc.  
 Tulsa, Oklahoma USA (800) 879-8000

Sheet	1 of 1
Scale	1/4" = 1"
Date	Jan. 15, 2015

Drawing No.  
**WL**  
**8023d**