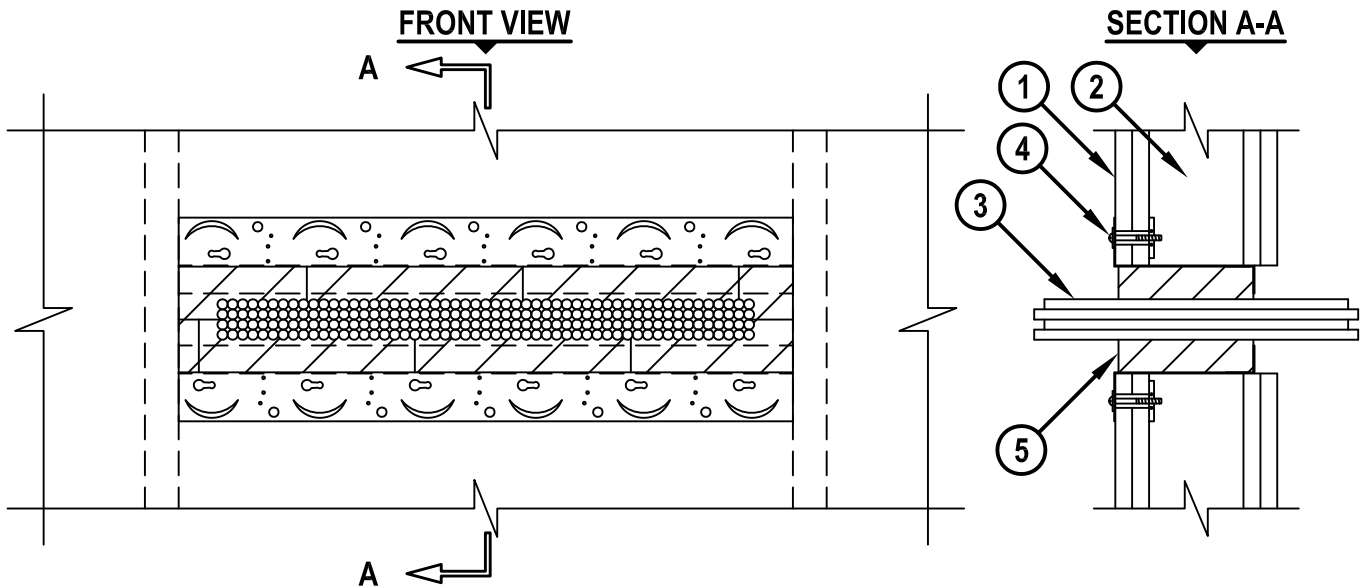


**BLANK OPENING OR CABLE BUNDLE THROUGH GYPSUM WALL ASSEMBLY**

F-RATING = 1-HR OR 2-HR.

T-RATING = 1/2-HR. OR 3/4-HR.

WL3296b.011112



1. GYPSUM WALL ASSEMBLY (UL/cUL CLASSIFIED U300, U400, V400, OR W400 SERIES WALL) (1-HR. OR 2-HR. FIRE-RATING) (2-HR. SHOWN).
2. WOOD STUDS TO CONSIST OF NOMINAL 2" x 4" LUMBER. STEEL STUDS TO BE NOMINAL 3-1/2" WIDE.
3. [OPTIONAL] MAXIMUM 20" x 2" CABLE BUNDLE TO CONSIST OF ANY COMBINATION OF THE FOLLOWING :
  - A. MAXIMUM 300 PAIR NO. 24 AWG TELEPHONE CABLE WITH PVC JACKET.
  - B. TYPE RGU/59 COAXIAL CABLE WITH PVC JACKET.
  - C. MAXIMUM 3/C NO. 8 AWG METAL CLAD CABLE.
  - D. MAXIMUM 3/C (+GROUND) NO. 8 AWG COPPER CONDUCT CABLE (ROMEX).
  - E. MAXIMUM 1/2" DIAMETER FIBER-OPTIC CABLE.
4. HILTI CP 675T Z-FRAME CUT TO LENGTH FOR THE TOP AND BOTTOM OF THE OPENING. FASTEN Z-FRAME TO WALL WITH TWO 1/4" HILTI TOGGLER BOLTS SPACED MAXIMUM 12" O/C (SEE NOTE NO. 3 BELOW).
5. HILTI CFS-BL FIRESTOP BLOCK OR HILTI FS 657 FIRE BLOCK (2" THICK x 8" WIDE x 5" DEEP) FIRMLY PACKED AND TO FILL OPENING EXTENDING FLUSH WITH BACK LIP OF Z-FRAME. BLOCKS TO ALSO BE INSTALLED WITHIN ANY OPEN STUD CAVITY. EITHER ONE OR A COMBINATION OF BLOCK TYPES MAY BE USED.

**NOTES :** 1. MAXIMUM SIZE OF OPENING FOR STEEL STUD WALLS = 22-3/4" x 7". (OPENING TO BE CUT HORIZONTALLY FROM STUD TO STUD).  
 2. MAXIMUM SIZE OF OPENING FOR WOOD STUD WALLS = 14-3/4" x 7". (OPENING TO BE CUT HORIZONTALLY FROM STUD TO STUD).  
 3. AS AN ALTERNATE TO UTILIZING TOGGLER BOLTS, Z-FRAME MAY BE FASTENED TO STEEL STUDS ON EACH END, UTILIZING 2-5/8" LONG DRYWALL SCREWS. FOR BLANK OPENINGS, Z-FRAME MUST BE FASTENED TO WALL FRAMING MEMBERS.



HILTI, Inc.  
 Tulsa, Oklahoma USA (800) 879-8000

Sheet	1 of 1
Scale	9/64" = 1"
Date	Jan. 11, 2012

Drawing No.  
**WL**  
**3296b**