

UL SYSTEM NO. W-L-2244

## PLASTIC PIPE THROUGH GYPSUM WALL ASSEMBLY

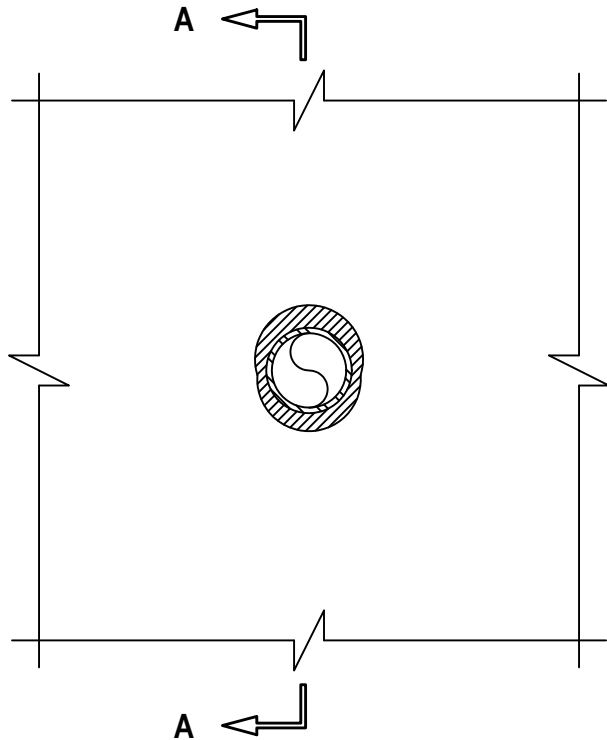
F-RATING = 1-HR. OR 2-HR.

T-RATING = 1-HR. OR 2-HR.

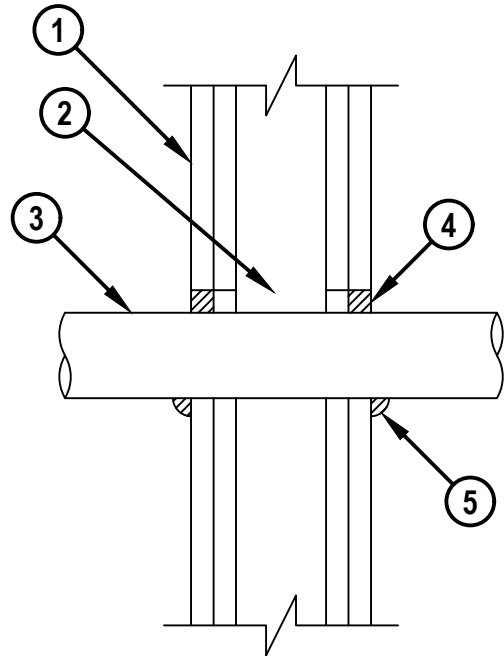
L-RATING AT AMBIENT = LESS THAN 1 CFM / SQ FT (SEE NOTE NO. 3 BELOW)

L-RATING AT 400°F = 2 CFM / SQ FT (SEE NOTE NO. 3 BELOW)

FRONT VIEW



SECTION A-A



WL2244f.110321

1. GYPSUM WALL ASSEMBLY (UL CLASSIFIED U300, U400 OR V400 SERIES) (1-HR. OR 2-HR. FIRE-RATING) (2-HR. SHOWN).
2. [NOT SHOWN] WOOD STUDS TO CONSIST OF NOMINAL 2" x 4" LUMBER. STEEL STUDS TO BE MINIMUM 2-1/2" WIDE.
3. PENETRATING ITEM TO BE ONE OF THE FOLLOWING :
  - A. MAXIMUM 2" NOMINAL DIAMETER PVC PLASTIC PIPE (SCHEDULE 40) (CELLULAR OR SOLID CORE) (CLOSED PIPING SYSTEM ONLY).
  - B. MAXIMUM 2" NOMINAL DIAMETER CPVC PLASTIC PIPE (SDR 13.5) (CLOSED PIPING SYSTEM ONLY).
4. MINIMUM 5/8" DEPTH HILTI FS-ONE MAX INTUMESCENT FIRESTOP SEALANT.
5. MINIMUM 1/2" BEAD HILTI FS-ONE MAX INTUMESCENT FIRESTOP SEALANT APPLIED AT POINT OF CONTACT.

NOTES : 1. MAXIMUM DIAMETER OF OPENING = 3".  
2. ANNULAR SPACE = MINIMUM 0", MAXIMUM 5/8".  
3. WHEN CELLULAR CORE PVC (ITEM 2A) IS USED, L-RATINGS DO NOT APPLY.

**HILTI**  
Hilti Firestop Systems

HILTI, Inc.  
Plano, Texas USA (800) 879-8000

Sheet	1 of 1
Scale	3/16" = 1"
Date	Nov. 03, 2021

Drawing No.

**WL**  
**2244f**

*Saving Lives through Innovation and Education*