

METAL PIPE THROUGH CONCRETE WALL OR BLOCK WALL

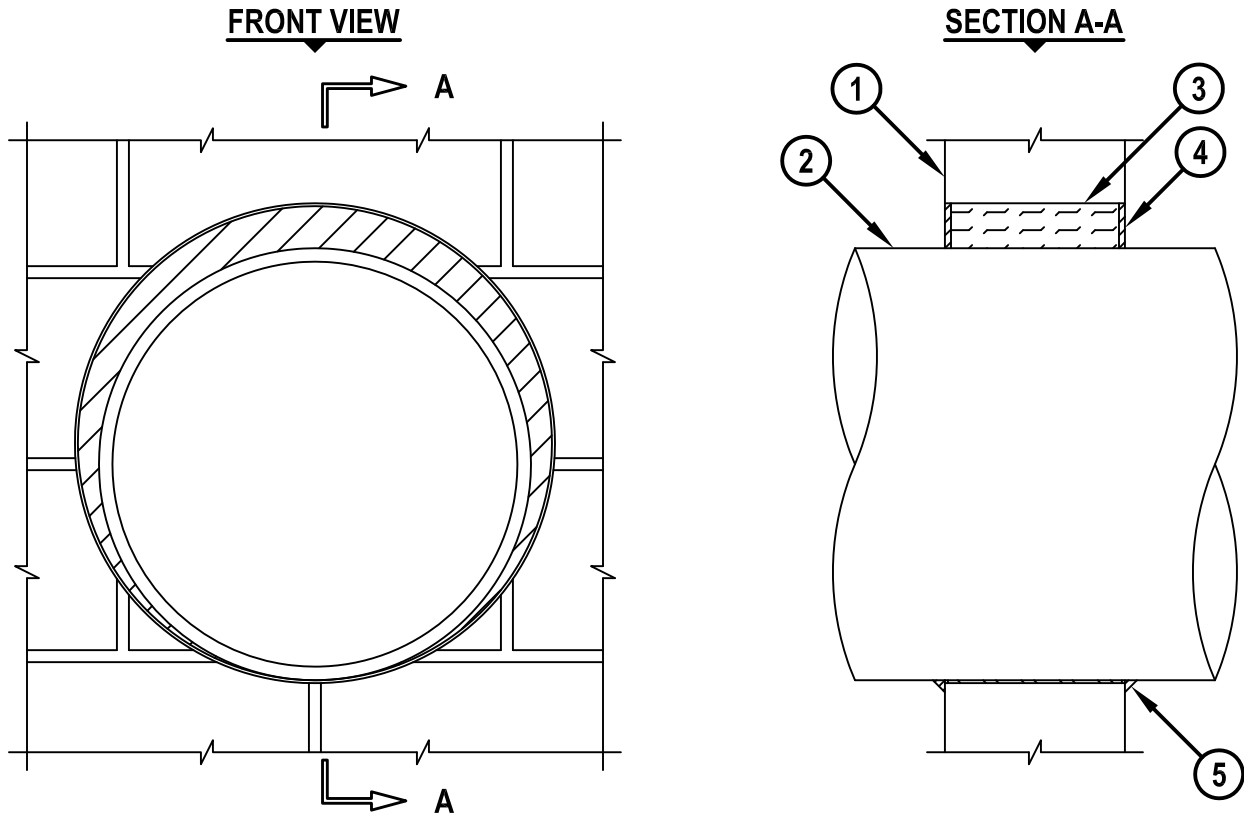
F-RATING = 2-HR.

T-RATING = 0-HR.

L-RATING AT AMBIENT = LESS THAN 1 CFM / SQ FT

L-RATING AT 400°F = 4 CFM / SQ FT

WJ1021f.010815



1. CONCRETE WALL ASSEMBLY (2-HR. FIRE-RATING) :
 - A. LIGHTWEIGHT OR NORMAL WEIGHT CONCRETE WALL (MINIMUM 5" THICK).
 - B. ANY UL/cUL CLASSIFIED CONCRETE BLOCK WALL.
2. PENETRATING ITEM TO BE ONE OF THE FOLLOWING :
 - A. MAXIMUM 18" NOMINAL DIAMETER STEEL PIPE (SCHEDULE 10 OR HEAVIER).
 - B. MAXIMUM 4" NOMINAL DIAMETER COPPER TUBING (TYPE L OR HEAVIER).
3. MINIMUM 4-1/2" THICKNESS MINERAL WOOL (MIN. 4 PCF DENSITY) TIGHTLY PACKED.
4. MINIMUM 1/4" DEPTH HILTI FS-ONE MAX OR FS-ONE INTUMESCENT FIRESTOP SEALANT.
5. MINIMUM 1/2" CROWN HILTI FS-ONE MAX OR FS-ONE INTUMESCENT FIRESTOP SEALANT APPLIED AT POINT OF CONTACT.

NOTES : 1. FOR STEEL PIPE, THE ANNULAR SPACE = MINIMUM 0", MAXIMUM 2-3/4". FOR COPPER PIPE, THE ANNULAR SPACE = MINIMUM 0", MAXIMUM 3".
 2. DIAMETER OF OPENING SHALL BE 3/8" TO 2-3/4" LARGER THAN THE DIAMETER OF THE PIPE.
 3. T-RATING = 1/4-HR. WHEN STEEL PIPE IS USED.
 4. FOR HOLLOW BLOCK WALLS, USE NO. 8 STEEL WIRE MESH TO AID IN THE INSTALLATION.



HILTI, Inc.
 Tulsa, Oklahoma USA (800) 879-8000

Sheet	1 of 1
Scale	1/8" = 1"
Date	Jan. 08, 2015

Drawing No.
WJ
1021f