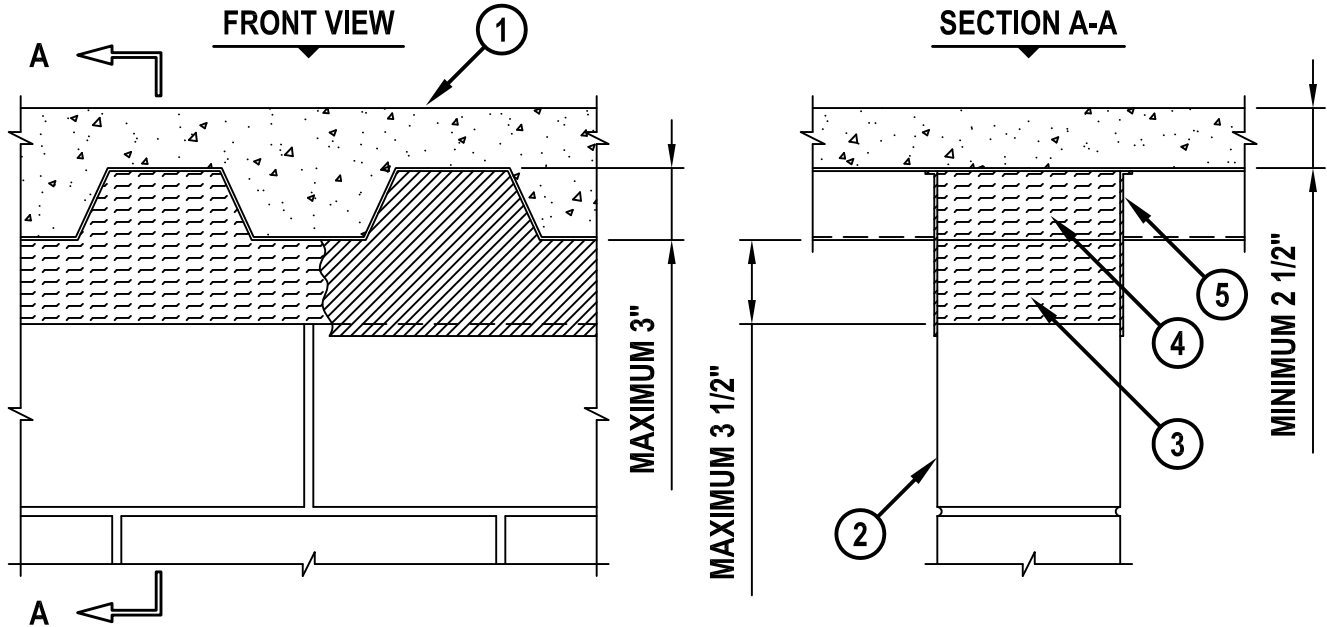


**TOP OF WALL JOINT : CONCRETE WALL OR BLOCK WALL ASSEMBLY**

ASSEMBLY RATING = 2-HR.

CLASS II MOVEMENT CAPABILITIES - 14% COMPRESSION OR EXTENSION



HWD1037d.052510

1. FLOOR OR ROOF ASSEMBLY (2-HR. FIRE-RATING) :
  - A. LIGHT WEIGHT OR NORMAL WEIGHT CONCRETE FLOOR (MIN. 2-1/2" THICK) OVER METAL DECKING (UL/ULC CLASSIFIED D700 OR D900 SERIES).
  - B. (NOT SHOWN). FLUTED STEEL ROOF DECK WITH SPRAY-APPLIED FIREPROOFING (UL/ULC CLASSIFIED P700 SERIES).
2. CONCRETE WALL ASSEMBLY (2-HR. FIRE-RATING) :
  - A. LIGHTWEIGHT OR NORMAL WEIGHT CONCRETE WALL (MIN. 8" THICK).
  - B. ANY UL/ULC CLASSIFIED CONCRETE BLOCK WALL.
3. MINERAL WOOL (MINIMUM 4 PCF DENSITY) COMPRESSED 50% AND INSERTED INTO JOINT, FLUSH WITH BOTH SIDES OF WALL ASSEMBLY.
4. HILTI CP 777 SPEED PLUGS FRICTION FITTED TO COMPLETELY FILL FLUTE, FLUSH WITH BOTH SIDES OF WALL. (SEE NOTE NO. 3 BELOW).
5. MINIMUM 1/8" (WET) THICKNESS HILTI CFS-SP WB FIRESTOP JOINT SPRAY OR HILTI CP 672 SPEED SPRAY TO COMPLETELY COVER MINERAL WOOL AND TO OVERLAP MINIMUM 1/2" ONTO CONCRETE WALL OR CONCRETE BLOCK WALL AND METAL DECK ON BOTH SIDES OF WALL ASSEMBLY.

**NOTES :**

1. STEEL FLOOR UNITS MAY BE SPRAYED WITH A MINIMUM 5/16" THICKNESS TO MAXIMUM 1-3/4" THICKNESS OF UL CLASSIFIED MONOKOTE TYPE MK-6/HY FIREPROOFING MANUFACTURED BY W.R. GRACE & CO.
2. WHEN THE STEEL DECK IS COATED WITH FIREPROOFING, HILTI FIRESTOP SPRAY SHALL OVERLAP THE WALL MINIMUM 1/2" AND OVERLAP THE FIRE- PROOFING MINIMUM 2", ON BOTH SIDES OF THE WALL.
3. AS AN ALTERNATE TO HILTI CP 777 SPEED PLUGS, MINERAL WOOL (MIN. 4 PCF DENSITY) COMPRESSED 50% MAY BE USED.



HILTI, Inc.  
Tulsa, Oklahoma USA (800) 879-8000

Sheet	1 of 1
Scale	1/8" = 1"
Date	May 25, 2010

Drawing No.  
**HWD  
1037d**