

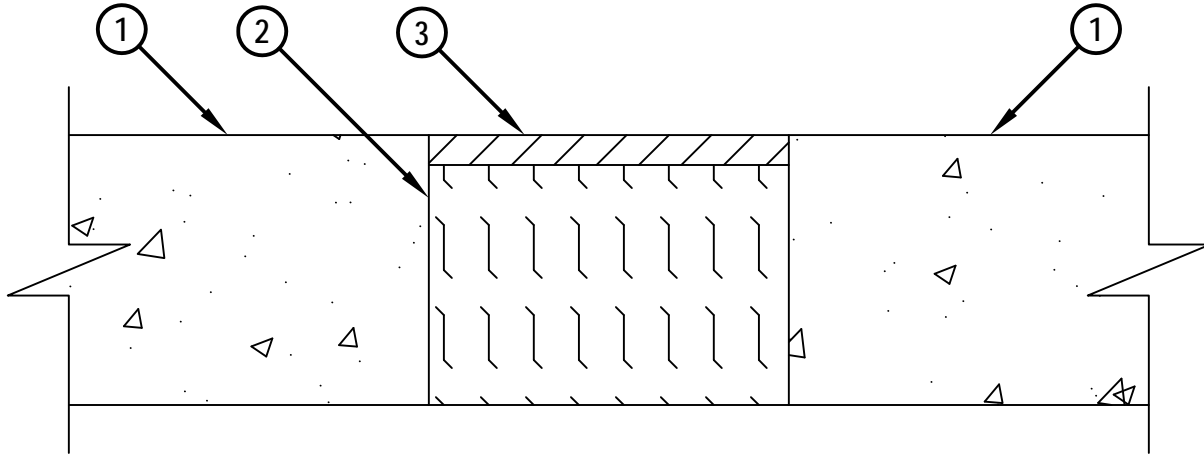
UL/cUL SYSTEM NO. FF-D-1039

FIRE-RATED JOINT THROUGH CONCRETE FLOOR ASSEMBLY

ASSEMBLY RATING = 2-HR.

CLASS II MOVEMENT CAPABILITIES = 10% COMPRESSION OR EXTENSION

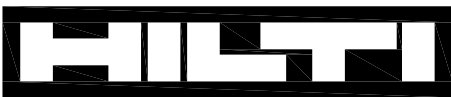
CROSS-SECTIONAL VIEW



FFD1039c.111313

1. LIGHTWEIGHT OR NORMAL WEIGHT CONCRETE FLOOR ASSEMBLY (MINIMUM 4-1/2" THICK) (2-HR. FIRE-RATING).
2. MINIMUM 4" THICKNESS MINERAL WOOL SAFING (MIN. 4 PCF DENSITY) COMPRESSED 50%.
3. MINIMUM 1/2" DEPTH HILTI CP 604 SELF LEVELING FIRESTOP SEALANT, HILTI CFS-S SIL GG FIRESTOP SILICONE SEALANT, OR HILTI CFS-S SIL SL FIRESTOP SILICONE SEALANT.

NOTE : MAXIMUM WIDTH OF JOINT = 6".



Hilti Firestop Systems

HILTI, Inc.
Tulsa, Oklahoma USA (800) 879-8000

Sheet 1 of 1

Scale 5/16" = 1"

Date Nov. 13, 2013

Drawing No.

**FFD
1039c**

Saving Lives through Innovation and Education