

UL/cUL SYSTEM NO. FF-D-1011

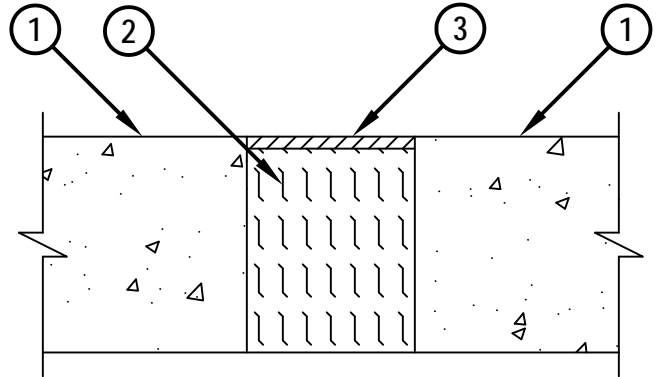
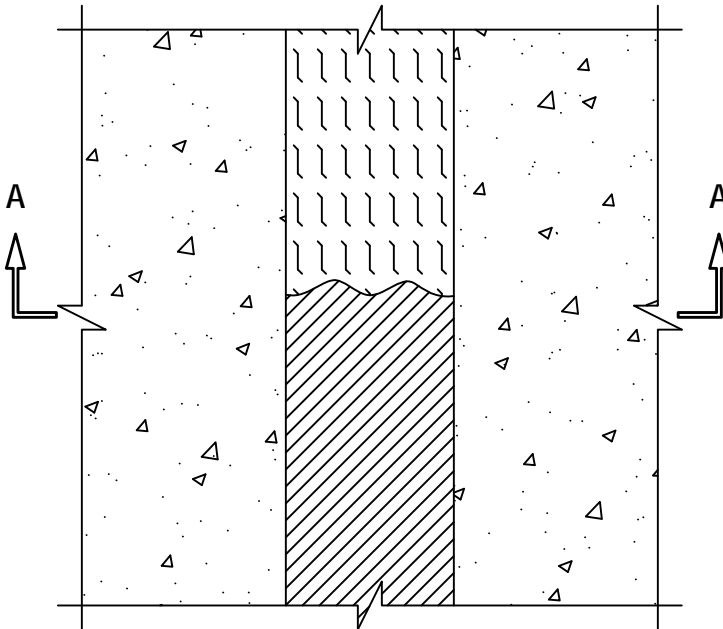
FIRE-RATED JOINT THROUGH CONCRETE FLOOR ASSEMBLY

ASSEMBLY RATING = 3-HR.

CLASS II MOVEMENT CAPABILITIES - 14% COMPRESSION OR EXTENSION

TOP VIEW

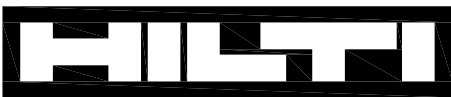
SECTION A-A



FFD1011f.111313

1. CONCRETE FLOOR ASSEMBLY (MINIMUM 4-1/2" THICK) (3-HR. FIRE-RATING).
2. MINIMUM 4-1/4" THICKNESS MINERAL WOOL SAFING (MIN. 4 PCF DENSITY) COMPRESSED MINIMUM 42%.
3. MINIMUM 1/4" DEPTH HILTI CP 601S ELASTOMERIC FIRESTOP SEALANT, HILTI CFS-S SIL GG FIRESTOP SILICONE SEALANT, OR HILTI CFS-S SIL SL FIRESTOP SILICONE SEALANT.

NOTE : MAXIMUM WIDTH OF JOINT = 3-1/2".



Hilti Firestop Systems

HILTI, Inc.
Tulsa, Oklahoma USA (800) 879-8000

Sheet	1 of 1
Scale	1/4" = 1"
Date	Nov. 13, 2013

Drawing No.

**FFD
1011f**

Saving Lives through Innovation and Education