

UL/cUL SYSTEM NO. FF-D-0052

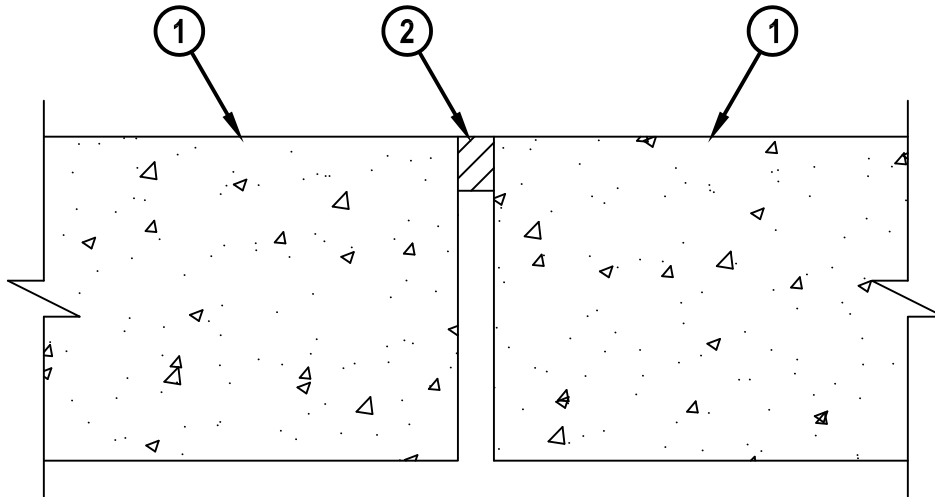
FIRE-RATED JOINT THROUGH CONCRETE FLOOR ASSEMBLY

ASSEMBLY RATING = 2-HR.

CLASS II MOVEMENT CAPABILITIES - 12.5% COMPRESSION OR EXTENSION

FFD0052b.032118

CROSS-SECTIONAL VIEW



1. LIGHTWEIGHT OR NORMAL WEIGHT CONCRETE FLOOR ASSEMBLY (MINIMUM 4-1/2" THICK) (2-HR. FIRE-RATING).
2. MINIMUM 1" DEPTH HILTI CP 606 FLEXIBLE FIRESTOP SEALANT.

NOTE : MAXIMUM WIDTH OF JOINT = 1/2".



Hilti Firestop Systems

HILTI, Inc.
Plano, Texas USA (800) 879-8000

Sheet	1 of 1
Scale	3/8" = 1"
Date	Mar. 21, 2018

Drawing No.

**FFD
0052b**

Saving Lives through Innovation and Education