

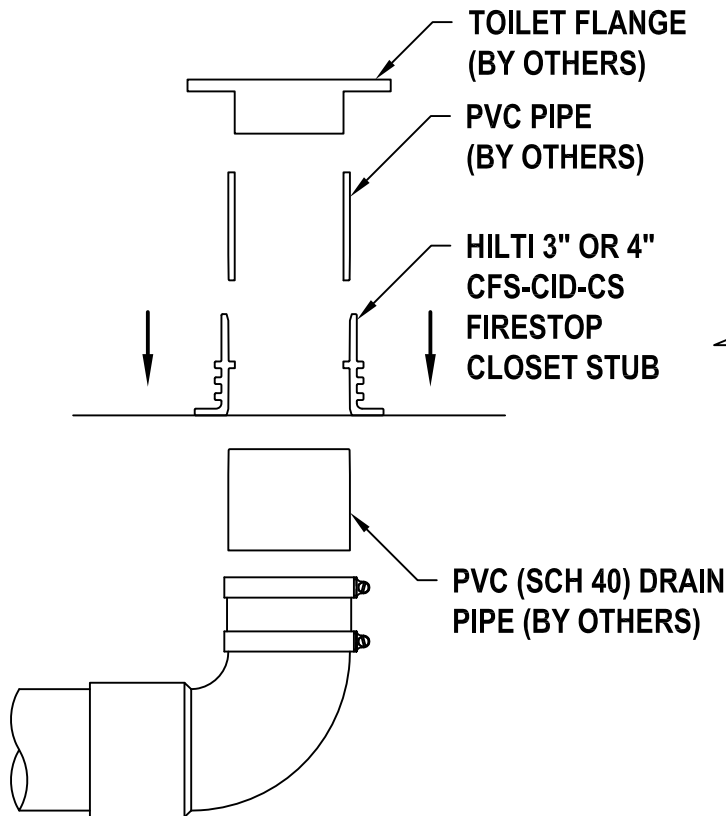
UL SYSTEM NO. F-B-2045

CLOSET FLANGE AND DRAIN PIPING THROUGH CONCRETE FLOOR ASSEMBLY

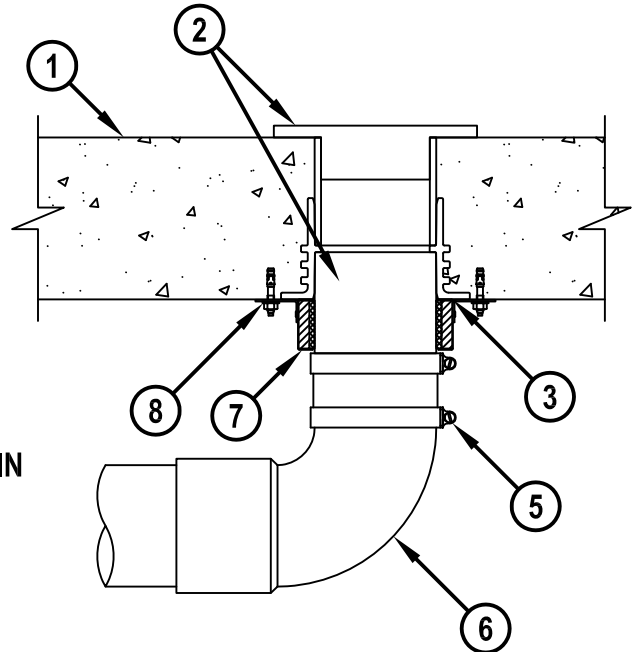
F-RATING = 2-HR.

T-RATING = 0-HR. OR 2-HR.

INSTALLATION PROCEDURE



CROSS-SECTIONAL VIEW



1. LIGHTWEIGHT OR NORMAL WEIGHT CONCRETE FLOOR ASSEMBLY (MINIMUM 6" THICK) (2-HR. FIRE-RATING).
2. DRAIN PIPE AND TOILET FLANGE TO BE FITTED AND CEMENTED WITHIN APPROPRIATELY SIZED FIRESTOP DEVICE USING PVC CEMENT :
 - A. NOMINAL 3" OR 4" DIAMETER PVC PLASTIC PIPE (SCH 40) (CELLULAR OR SOLID CORE).
 - B. NOMINAL 3" OR 4" DIAMETER CPVC PLASTIC PIPE (SDR 17).
3. HILTI 3" OR 4" CFS-CID-CS FIRESTOP CLOSET STUB CAST IN PLACE.
4. [NOT SHOWN] FLOOR MOUNTED VITREOUS WATER CLOSET.
5. NOMINAL 3" OR 4" DIAMETER (MINIMUM 32 GA.) CORRUGATED STAINLESS STEEL SHIELDED RUBBER NO-HUB CONNECTOR.
6. NOMINAL 3" OR 4" DIAMETER CAST IRON PIPE.
7. [OPTIONAL] HILTI CP 643N FIRESTOP COLLAR WITH FASTENING HOOKS (T-RATING = 2-HR. WHEN CP 643N IS USED).
8. EACH FASTENING HOOK SECURED TO BOTTOM OF FLOOR WITH 1/4" x 1-1/4" LONG STEEL EXPANSION BOLTS, MIN. 0.145" x 1-1/4" POWDER ACTUATED FASTENERS WITH 1-7/16" DIAMETER STEEL WASHER, 1/4" x 1-1/4" HILTI KWIK-CON II+ CONCRETE SCREW ANCHOR, OR 1/4" x 1-3/4" HILTI KWIK-BOLT 3 STEEL EXPANSION ANCHOR.



HILTI, Inc.
Plano, Texas USA (800) 879-8000

Sheet	1 of 1
Scale	9/64" = 1"
Date	Mar. 01, 2016

Drawing No.

FB
2045b

Saving Lives through Innovation and Education

FB2045b.030116