

**CLOSET FLANGE AND DRAIN PIPING THROUGH CONCRETE FLOOR ASSEMBLY**

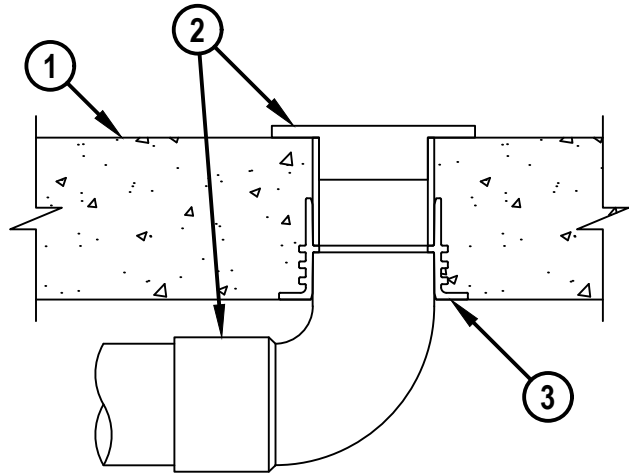
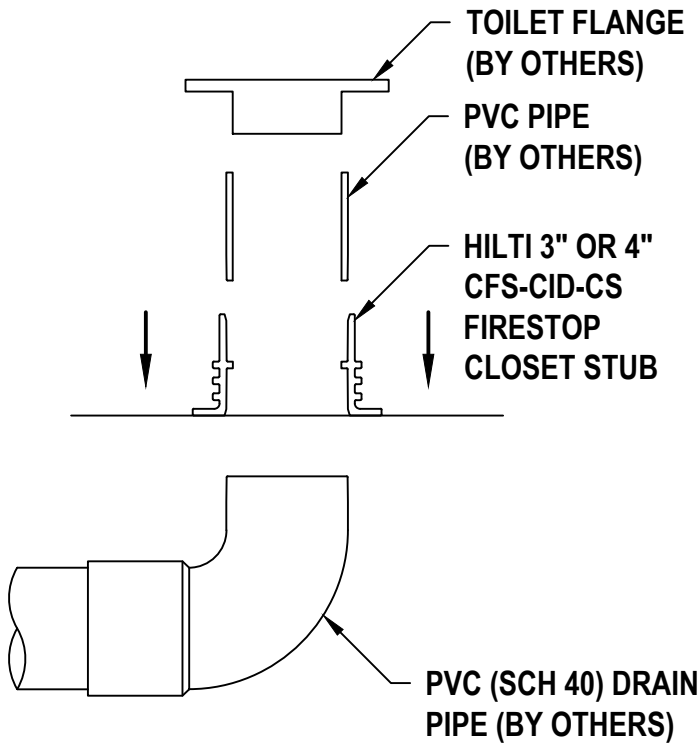
F-RATING = 3-HR.

T-RATING = 0-HR.

FB2032d.040722

**INSTALLATION PROCEDURE**

**CROSS-SECTIONAL VIEW**



1. LIGHTWEIGHT OR NORMAL WEIGHT CONCRETE FLOOR ASSEMBLY (MINIMUM 6" THICK) (3-HR. FIRE-RATING).
2. DRAIN PIPE AND TOILET FLANGE TO BE FITTED AND CEMENTED WITHIN APPROPRIATELY SIZED FIRESTOP DEVICE USING PVC CEMENT :
  - A. NOMINAL 3" OR 4" DIAMETER PVC PLASTIC PIPE (SCH 40) (CELLULAR OR SOLID CORE).
3. HILTI 3" OR 4" CFS-CID-CS FIRESTOP CLOSET STUB CAST IN PLACE.
4. [NOT SHOWN] FLOOR MOUNTED VITREOUS WATER CLOSET.



HILTI, Inc.  
Plano, Texas USA (800) 879-8000

Sheet	1 of 1
Scale	9/64" = 1"
Date	Apr. 07, 2022

Drawing No.  
**FB  
2032d**