

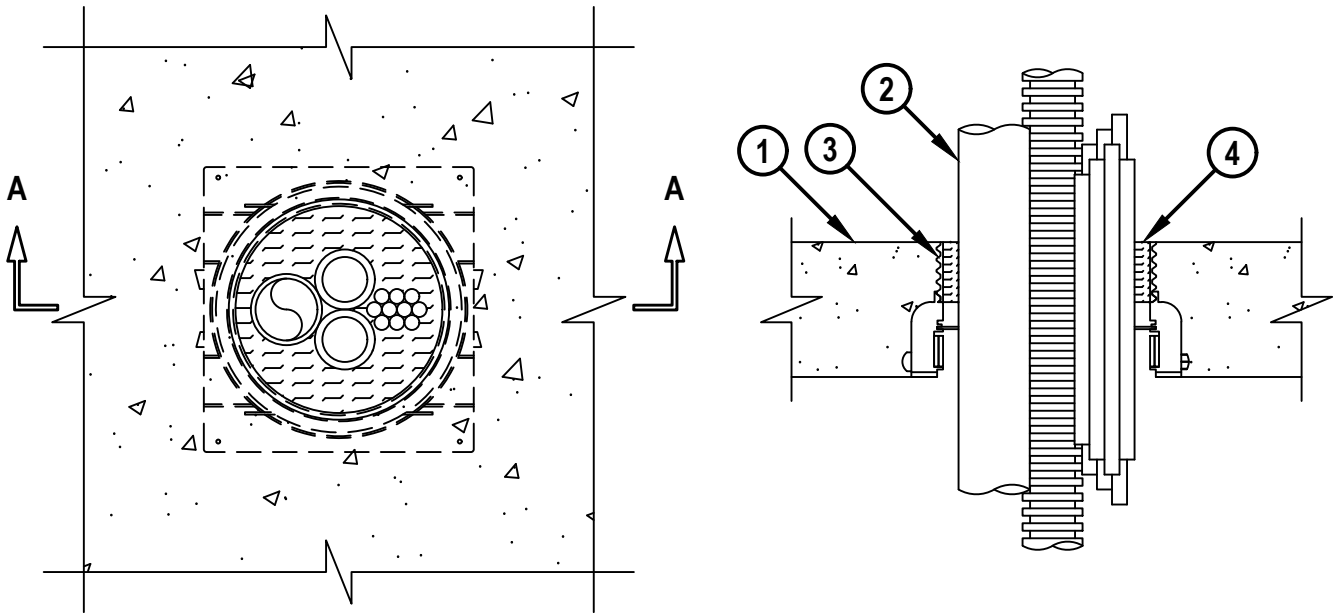
**MULTIPLE PENETRANTS THROUGH CONCRETE FLOOR OR  
CONCRETE OVER METAL DECKING**

F-RATING = 3-HR.  
T-RATING = 0-HR.

FA8023d.071415

**TOP VIEW**

**SECTION A-A**



1. CONCRETE FLOOR OR WALL ASSEMBLY (3-HR. FIRE-RATING) :
  - A. LIGHTWEIGHT OR NORMAL WEIGHT CONCRETE FLOOR OR WALL (MINIMUM 4-1/2" THICK).
  - B. STEEL FLOOR UNIT/FLOOR ASSEMBLY - LIGHTWEIGHT OR NORMAL WEIGHT CONCRETE FLOOR (MINIMUM 4-1/2" THICK) OVER METAL DECKING.
2. PENETRATING ITEMS TO BE ANY BUNDLED COMBINATION OF THE FOLLOWING :
  - A. MAXIMUM 2" NOMINAL DIAMETER STEEL PIPE (SCHEDULE 10 OR HEAVIER) (MAX. QTY. = 1).
  - B. MAXIMUM 2" NOMINAL DIAMETER ENT (MAX. QTY. = 2) (SEE NOTE NO. 3 BELOW).
  - C. MAXIMUM 2" DIAMETER CABLE BUNDLE CONSISTING OF MAXIMUM 7/C NO. 12 AWG CABLE AND/OR MAXIMUM 25 PAIR NO. 24 AWG TELEPHONE CABLE.
3. HILTI CP 680-P [2", 3", 4" OR 6"] OR CP 680-PX [2" OR 3"] CAST-IN FIRESTOP DEVICE CAST OR GROUTED INTO CONCRETE FLOOR.
4. MINIMUM 2" THICKNESS MINERAL WOOL (MIN. 4 PCF DENSITY) TIGHTLY PACKED AND FLUSH WITH TOP OF FIRESTOP DEVICE.

**NOTES :** 1. FOR CONCRETE FLOOR OVER METAL DECKING APPLICATIONS, A METAL DECK ADAPTER KIT IS REQUIRED.  
 2. ANNULAR SPACE BETWEEN BUNDLE AND DEVICE = MINIMUM 1/2", MAXIMUM 2".  
 3. ENT NOT APPLICABLE FOR USE IN CANADA.



HILTI, Inc.  
Tulsa, Oklahoma USA (800) 879-8000

Sheet	1 of 1
Scale	5/32" = 1"
Date	July 14, 2015

Drawing No.  
**FA  
8023d**