

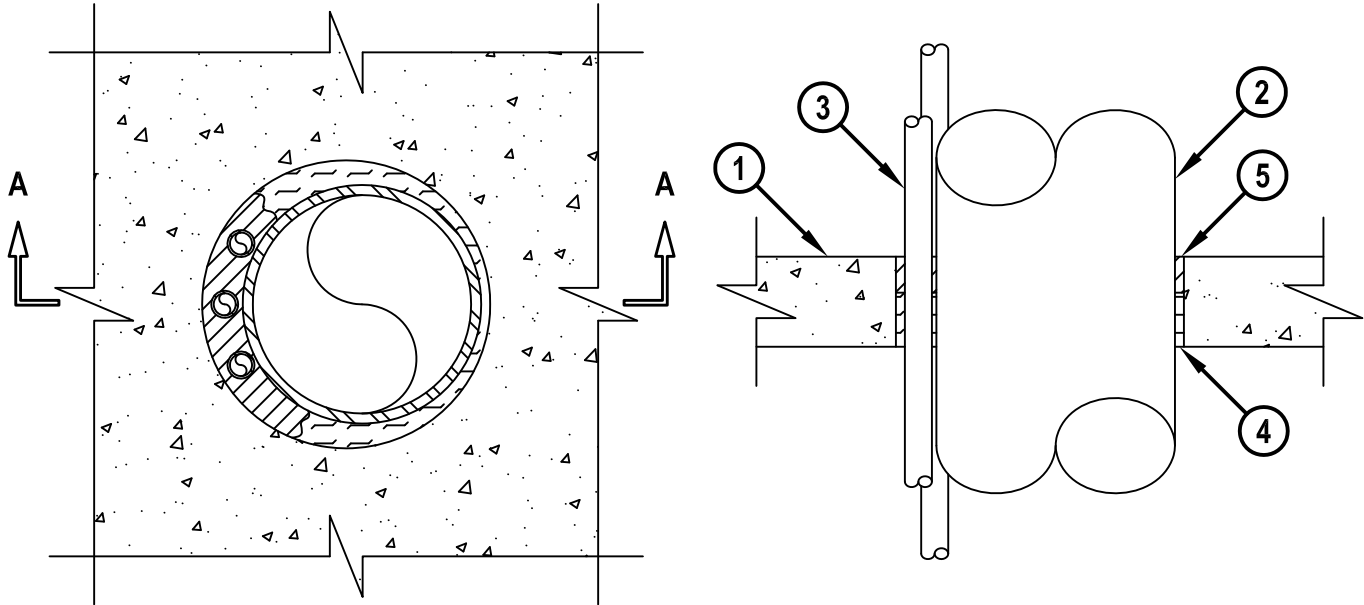
**STEEL TUBE AND CABLES THROUGH CONCRETE FLOOR OR CONCRETE FLOOR OVER METAL DECKING**

F-RATING = 2-HR.  
T-RATING = 0-HR.

FA8004b.010715

**BOTTOM VIEW**

**SECTION A-A**



1. CONCRETE FLOOR OR WALL ASSEMBLY (2-HR. FIRE-RATING) :
  - A. LIGHTWEIGHT OR NORMAL WEIGHT CONCRETE FLOOR (MINIMUM 2-1/2" THICK).
  - B. STEEL FLOOR UNIT/FLOOR ASSEMBLY - NORMAL WEIGHT CONCRETE FLOOR (MINIMUM 2-1/2" THICK) OVER METAL DECKING.
2. MAXIMUM 6" NOMINAL DIAMETER STEEL TUBE (16 GA.).
3. TWO PAIR NO. 22 AWG FOIL SHIELDED COMMUNICATION CABLES (MAX. QTY. = 3).
4. MINIMUM 1-1/2" THICKNESS MINERAL WOOL (MIN. 4 PCF DENSITY) TIGHTLY PACKED.
5. MINIMUM 1" DEPTH HILTI FS-ONE MAX OR FS-ONE INTUMESCENT FIRESTOP SEALANT.

**NOTES :** 1. MAXIMUM DIAMETER OF OPENING = 8".  
 2. ANNULAR SPACE BETWEEN TUBE AND PERIPHERY OF OPENING = MIN. 1/4", MAX. 1-3/4".  
 3. ANNULAR SPACE BETWEEN CABLES AND PERIPHERY OF OPENING = MINIMUM 1/4".  
 4. ANNULAR SPACE BETWEEN CABLES AND STEEL TUBE = MINIMUM 0", MAXIMUM 1".



HILTI, Inc.  
Tulsa, Oklahoma USA (800) 879-8000

Sheet	1 of 1
Scale	1/8" = 1"
Date	Jan. 07, 2015

Drawing No.  
**FA  
8004b**