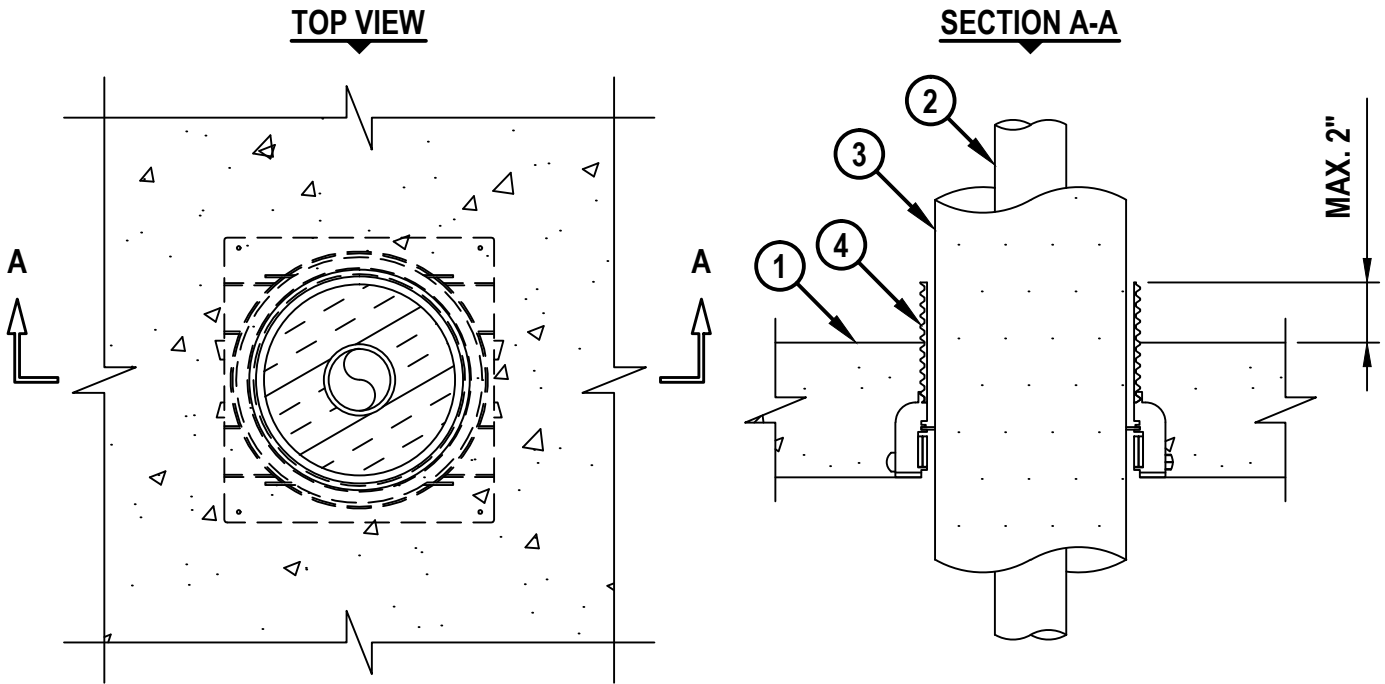


PLASTIC PIPE THROUGH CONCRETE FLOOR ASSEMBLY

F-RATING = 2-HR.

T-RATING = 2-HR.

FA2205e-021218



1. LIGHTWEIGHT OR NORMAL WEIGHT CONCRETE FLOOR ASSEMBLY (MINIMUM 4-1/2" THICK) (2-HR. FIRE-RATING).
2. PENETRATING ITEM TO BE ONE OF THE FOLLOWING :
 - A. MAXIMUM 2" NOMINAL DIAMETER PVC PLASTIC PIPE (CELLULAR OR SOLID CORE).
 - B. MAXIMUM 2" NOMINAL DIAMETER CPVC PLASTIC PIPE (CLOSED PIPING SYSTEM ONLY).
 - C. MAXIMUM 2" (63 mm OD) NOMINAL DIAMETER GREENPIPE PP-R PLASTIC PIPE (MFD. BY AQUATHERM, INC.) (CLOSED PIPING SYSTEM ONLY).
 - D. MAXIMUM 2" AQUAPEX OR WRISBO HEPEX POLYETHYLENE (PEX) TUBING (BY UPONOR) (SDR 9) (CLOSED PIPING SYSTEM ONLY).
3. NOMINAL 1", 1-1/2", OR 2" THICK GLASS-FIBER PIPE INSULATION (SEE TABLE BELOW).
4. HILTI CP 680-P OR CP 680-PX CAST-IN FIRESTOP DEVICE CAST OR GROUTED INTO CONCRETE FLOOR (SEE TABLE BELOW).

NOMINAL PIPE DIAMETER	INSULATION THICKNESS	PRODUCT DESCRIPTION
1" (25 mm)	1" (25 mm)	CP 680-P 3" OR CP 680-PX 3"
2" (51 mm)	1" (25 mm)	CP 680-P 4"
2" (63 mm OD)	2" (51 mm)	CP 680-P 6"
2" (51 mm)	1-1/2" (38 mm)	CP 680-P 6"

NOTE : CLOSED OR VENTED PIPING SYSTEMS (PVC = SCH 40; CPVC = SDR 13.5; PP-R = SDR 7.4).



HILTI, Inc.
Plano, Texas USA (800) 879-8000

Sheet	1 of 1
Scale	5/32" = 1"
Date	Feb. 12, 2018

Drawing No.
**FA
2205e**