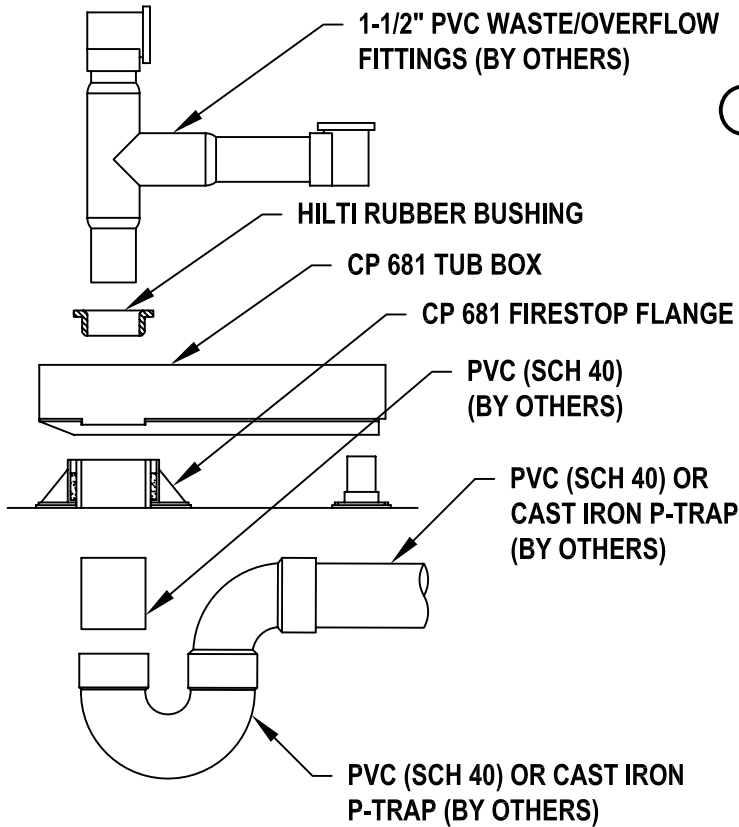


**PLASTIC PIPE AND TUB FITTINGS THROUGH CONCRETE FLOOR ASSEMBLY**

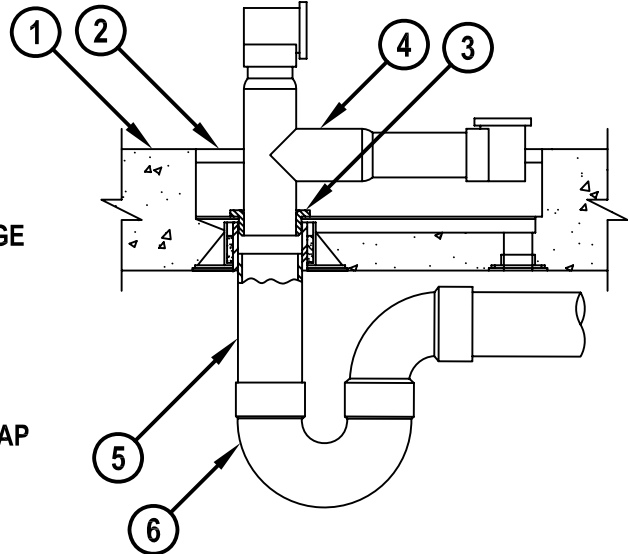
F-RATING = 3-HR.  
 T-RATING = 3/4-HR.  
 W-RATING = CLASS I

FA2094c.022707

**INSTALLATION PROCEDURE**



**CROSS-SECTIONAL VIEW**



1. LIGHTWEIGHT OR NORMAL WEIGHT CONCRETE FLOOR ASSEMBLY (MINIMUM 4-1/2" THICK) (3-HR. FIRE-RATING).
2. HILTI CP 681 TUB BOX KIT, CONSISTING OF 8-1/2" x 12" x 2" DEEP ABS TUB BOX WITH ADJUSTABLE LEGS AND INTUMESCENT COUPLING, FASTENED TO FORM WORK AND PERMANENTLY EMBEDDED DURING CONCRETE PLACEMENT. MINIMUM 2" OF CONCRETE SHALL BE MAINTAINED BELOW TUB BOX.
3. ELASTOMERIC RUBBER BUSHING (PROVIDED BY HILTI, INC.) INSERTED INTO TOP OF DEVICE. ELASTOMERIC BUSHING SIZED TO PROVIDE TIGHT FIT AROUND DRAIN PIPE (ITEM NO. 4).
4. MAXIMUM 1-1/2" NOMINAL DIAMETER PVC PLASTIC PIPE (THIN WALL OR SCHEDULE 40) WASTE/OVERFLOW FITTINGS.
5. MAXIMUM 2" NOMINAL DIAMETER PVC PLASTIC PIPE (SCHEDULE 40) SECURED INTO BOTTOM OF DEVICE WITH PVC GLUE.
6. PVC OR CAST IRON P-TRAP PROPERLY SECURED TO DRAIN PIPING (ITEM NO. 5).

**NOTE : DRAIN PIPING AND P-TRAPS (ITEMS NO. 4 AND NO. 5) SHOULD BE PROPERLY SUPPORTED AWAY FROM THE TUB BOX WITH SUITABLE HANGERS.**



HILTI, Inc.  
 Tulsa, Oklahoma USA (918) 252-6000

Sheet	1 of 1
Scale	9/64" = 1"
Date	Feb. 27, 2007

Drawing No.  
**FA 2094c**