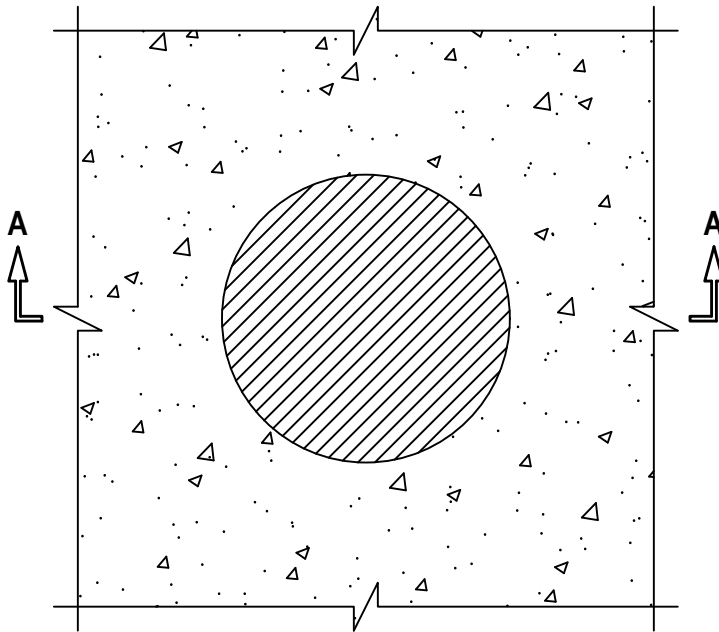


**BLANK OPENING THROUGH CONCRETE FLOOR OR CONCRETE FLOOR OVER
METAL DECKING ASSEMBLY**

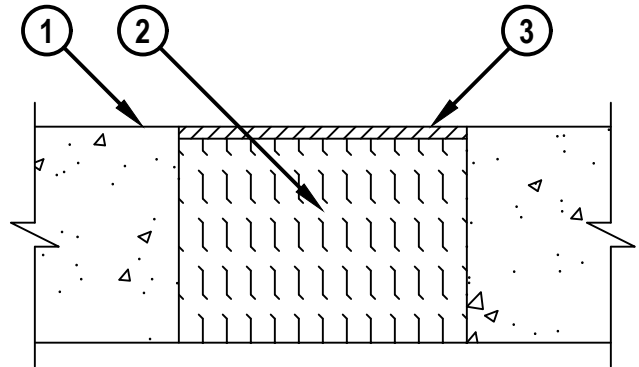
F-RATING = 2-HR.
T-RATING = 1-1/2-HR.

FA0008c.081722

TOP VIEW



SECTION A-A



1. CONCRETE FLOOR ASSEMBLY (2-HR. FIRE-RATING) :
 - A. LIGHTWEIGHT OR NORMAL WEIGHT CONCRETE FLOOR (MINIMUM 4-1/2" THICK).
 - B. STEEL FLOOR UNIT/FLOOR ASSEMBLY - LIGHTWEIGHT OF NORMAL WEIGHT CONCRETE (MINIMUM 4-1/2" THICK) OVER METAL DECKING.
2. MINIMUM 4-1/4" THICKNESS MINERAL WOOL (MIN. 4 PCF DENSITY) TIGHTLY PACKED.
3. MINIMUM 1/4" DEPTH HILTI CFS-S SIL GG FIRESTOP SILICONE SEALANT OR HILTI CFS-S SIL SL FIRESTOP SILICONE SEALANT.

NOTE : MAXIMUM DIAMETER OF OPENING = 6".



HILTI, Inc.
Tulsa, Oklahoma USA (800) 879-8000

Sheet	1 of 1
Scale	1/4" = 1"
Date	Aug. 17, 2022

Drawing No.

**FA
0008c**