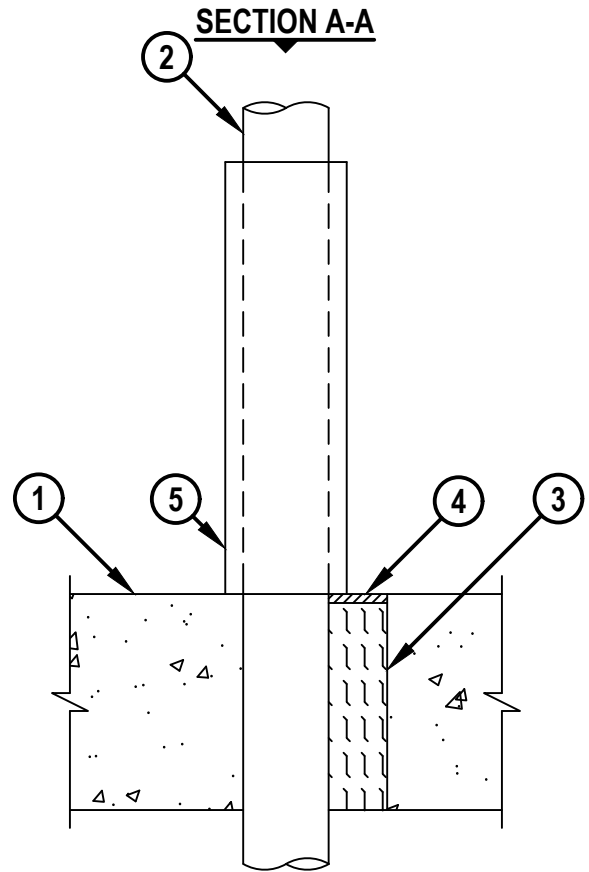
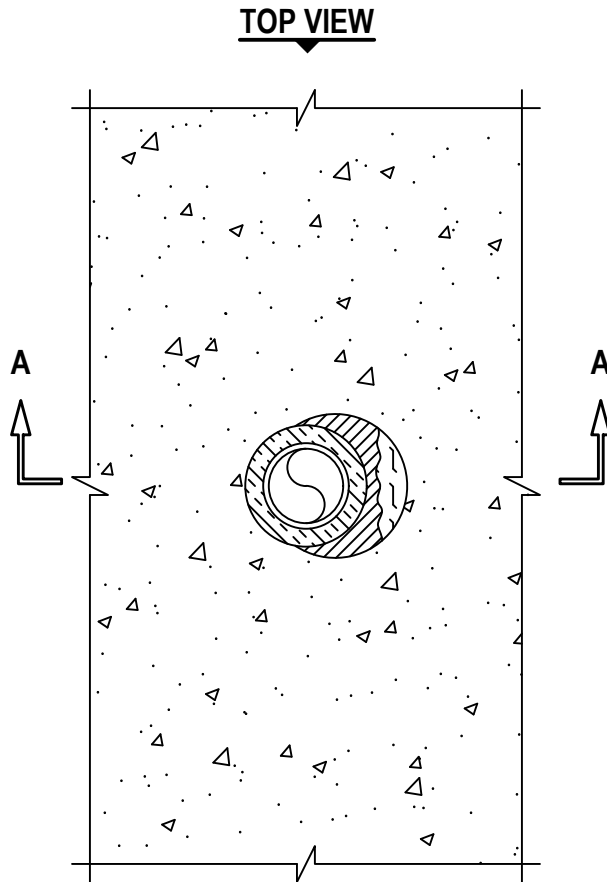


METAL PIPE THROUGH CONCRETE FLOOR/WALL OR BLOCK WALL ASSEMBLY

F-RATING = 2-HR.
T-RATING = 2-HR.

CBJ1055d.081722



1. CONCRETE FLOOR OR WALL ASSEMBLY (2-HR. FIRE-RATING) :
 - A. LIGHTWEIGHT OR NORMAL WEIGHT CONCRETE FLOOR OR WALL (MINIMUM 6" THICK).
 - B. ANY UL/cUL CLASSIFIED CONCRETE BLOCK WALL.
2. PENETRATING ITEM TO BE ONE OF THE FOLLOWING :
 - A. MAXIMUM 2" NOMINAL DIAMETER STEEL PIPE (SCHEDULE 40 OR HEAVIER).
 - B. MAXIMUM 2" NOMINAL DIAMETER CAST OR DUCTILE IRON PIPE.
3. MINIMUM 5-3/4" THICKNESS MINERAL WOOL (MINIMUM 4 PCF DENSITY) TIGHTLY PACKED AND RECESSED TO ACCOMMODATE FIRESTOP SEALANT.
4. MINIMUM 1/4" DEPTH HILTI FS-ONE MAX INTUMESCENT FIRESTOP SEALANT.
5. NOMINAL 1/2" THICK GLASS-FIBER PIPE INSULATION TO EXTEND 12" ABOVE THE TOP SURFACE OF FLOOR. INSULATION IS NOT REQUIRED FOR PIPES 1" AND SMALLER.

NOTES : 1. MAXIMUM DIAMETER OF OPENING = 4".
 2. ANNULAR SPACE = MINIMUM 0", MAXIMUM 1-5/8".
 3. MINIMUM 1/4" DEPTH HILTI FS-ONE MAX INTUMESCENT FIRESTOP SEALANT AND 1/2" THICK GLASS-FIBER PIPE INSULATION ARE REQUIRED ON BOTH SIDES OF A WALL ASSEMBLY.



HILTI, Inc.
Plano, Texas USA (800) 879-8000

Sheet	1 of 1
Scale	3/16" = 1"
Date	Aug. 17, 2022

Drawing No.
**CBJ
1055d**