

UL/cUL SYSTEM NO. C-AJ-3282

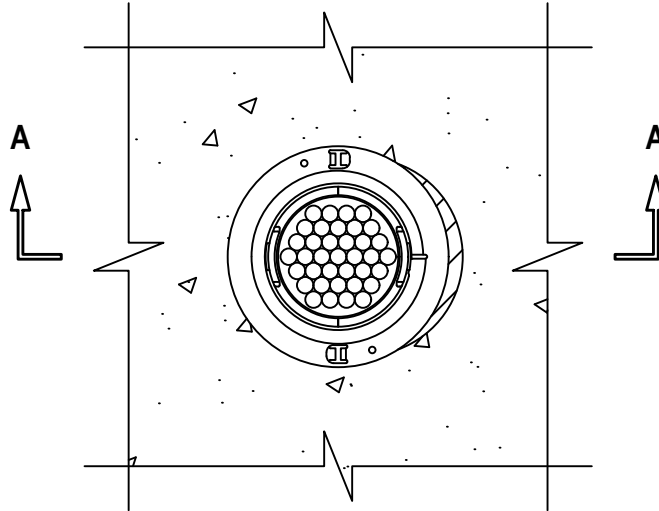
CABLE BUNDLE THROUGH CONCRETE FLOOR/WALL OR BLOCK WALL ASSEMBLY

F-RATING = 2-HR.

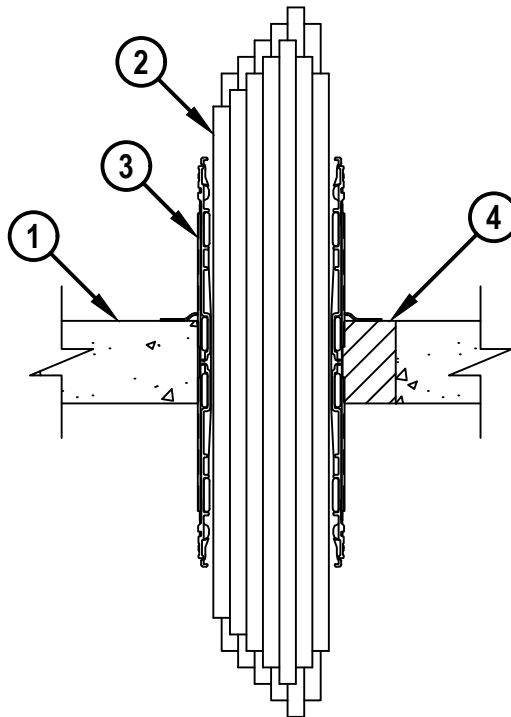
T-RATING = 0-HR., 3/4-HR., OR 1-HR.

CAJ3282d.011617

TOP VIEW



SECTION A-A



HILTI, Inc.
Plano, Texas USA (800) 879-8000

Sheet	1 of 2
Scale	1 1/64" = 1"
Date	Jan. 16, 2017

Drawing No.

**CAJ
3282d**

Saving Lives through Innovation and Education

CABLE BUNDLE THROUGH CONCRETE FLOOR/WALL OR BLOCK WALL ASSEMBLY

F-RATING = 2-HR.

T-RATING = 0-HR., 3/4-HR., OR 1-HR.

CAJ3282d.011617

1. CONCRETE FLOOR OR WALL ASSEMBLY (2-HR. FIRE-RATING) :
 - A. LIGHTWEIGHT OR NORMAL WEIGHT CONCRETE FLOOR OR WALL (MINIMUM 2-1/2" THICK).
 - B. STEEL FLOOR UNIT/FLOOR ASSEMBLY - LIGHTWEIGHT OR NORMAL WEIGHT CONCRETE FLOOR (MINIMUM 2-1/2" THICK) OVER METAL DECK.
 - C. ANY UL/cUL CLASSIFIED CONCRETE BLOCK WALL.
2. CABLE BUNDLE TO BE A COMBINATION OF ANY OF THE FOLLOWING :
 - A. MAXIMUM 100 PAIR NO. 24 AWG TELEPHONE CABLE WITH PVC JACKET.
 - B. MAXIMUM 7/C NO. 12 AWG COPPER CONDUCTOR CONTROL CABLE WITH PVC OR XLPE JACKET AND INSULATION.
 - C. MAXIMUM 4/0 AWG SHIELDED PRINTER CABLE WITH PVC JACKET.
 - D. MAXIMUM 4 PAIR NO. 22 AWG CAT 6 COMPUTER CABLE.
 - E. MAXIMUM RG 6/U COAXIAL CABLE.
 - F. MAXIMUM 1/2" DIAMETER FIBER-OPTIC CABLE (24 FIBER) WITH PVC OR PE JACKET AND INSULATION.
 - G. MAXIMUM 20/C NO. 22 AWG SHIELDED PRINTER CABLE WITH PVC JACKET.
 - H. MAXIMUM 2/C NO. 18 AWG POWER OR NON-POWER LIMITED FIRE ALARM CABLE WITH OR WITHOUT METAL JACKET (MANUFACTURED BY AFC CABLE SYSTEMS, INC).
 - I. MAXIMUM 1/4" DIAMETER S-VIDEO CABLE CONSISTING OF MAXIMUM 24 AWG 75 OHM COAX OR TWISTED PAIR CABLE WITH PE INSULATION AND PVC JACKET.
 - J. ANY CABLES, METAL CLAD CABLES, OR ARMORED CABLES CURRENTLY LISTED UNDER THE THROUGH PENETRATING PRODUCTS CATEGORY.
 - K. MAXIMUM 3/C NO. 12 AWG METAL CLAD CABLE.
3. HILTI CP 653 (BA) SPEED SLEEVE (2" OR 4") SLID INTO AND CENTERED WITHIN FLOOR OR WALL. DEVICE FLANGES SPUN CLOCKWISE ONTO DEVICE THREADS, BUTTING TIGHTLY TO TOP SIDE OF FLOOR OR BOTH SIDES OF WALL.
4. MINIMUM 2-1/2" DEPTH HILTI CP 637 FIRESTOP MORTAR FLUSH WITH BOTTOM SURFACE OF FLOOR OR BOTH SURFACES OF WALL.

NOTES : 1. MAXIMUM DIAMETER OF OPENING = 4" (FOR 2" DEVICE) OR 6" (FOR 4" DEVICE).
 2. CABLES MAY REPRESENT 0 TO 100% VISUAL FILL OF DEVICE.
 3. MINIMUM ANNULAR SPACE BETWEEN DEVICE AND PERIPHERY OF OPENING = 0".

 Hilti Firestop Systems	HILTI, Inc. Plano, Texas USA (800) 879-8000	Sheet 2 of 2	Drawing No. CAJ 3282d
		Scale -	
		Date Jan. 16, 2017	
<i>Saving Lives through Innovation and Education</i>			