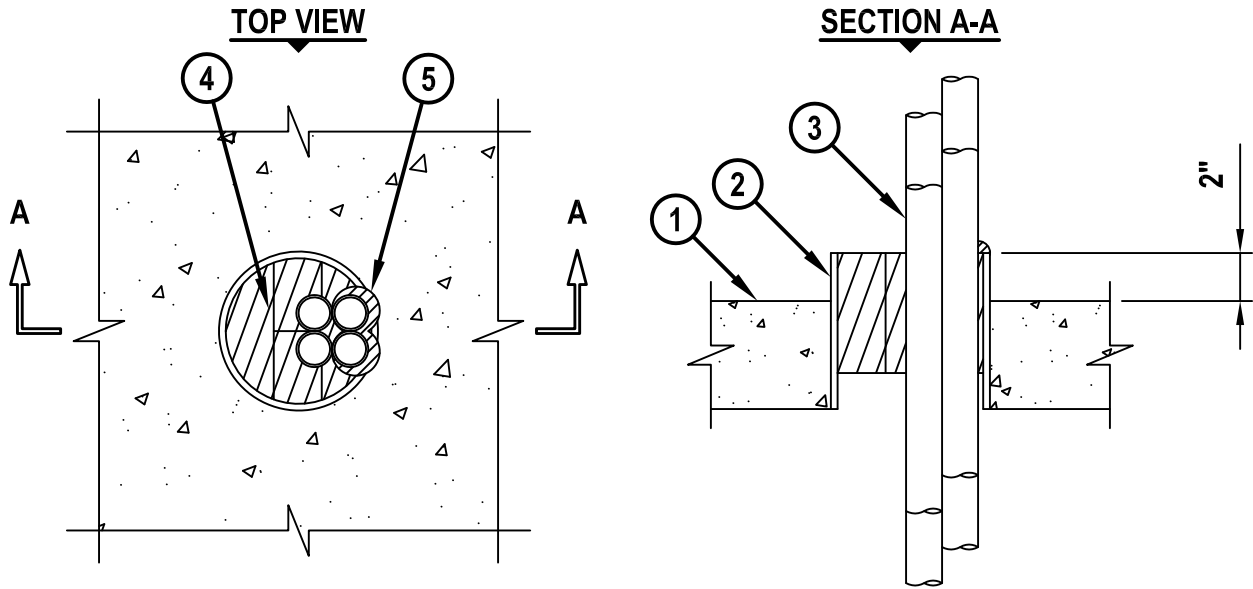


**CABLE BUNDLE THROUGH PVC SLEEVE IN CONCRETE FLOOR/WALL OR CONCRETE BLOCK WALL**

F-RATING = 3-HR.  
T-RATING = 1/2-HR.

CAJ3198c.010515



1. CONCRETE FLOOR OR WALL ASSEMBLY (3-HR. FIRE-RATING) :
  - A. LIGHTWEIGHT OR NORMAL WEIGHT CONCRETE FLOOR OR WALL (MINIMUM 4-1/2" THICK).
  - B. ANY UL/cUL CLASSIFIED CONCRETE BLOCK WALL.
2. MAXIMUM 6" NOMINAL DIAMETER PVC PIPE SLEEVE (SCHEDULE 40) PROJECTING 2" BEYOND THE TOP SURFACE OF FLOOR, OR BOTH SURFACES OF WALL.
3. CABLE BUNDLE TO CONSIST OF MAXIMUM 750 KCMIL POWER CABLES WITH PVC INSULATION AND JACKET.
4. HILTI CFS-BL FIRESTOP BLOCK OR HILTI FS 657 FIRE BLOCK (2" THICK x 8" WIDE x 5" DEEP, REFERENCE : TOP VIEW) TO BE FLUSH WITH TOP OF PVC PIPE SLEEVE.
5. MINIMUM 1/2" BEAD HILTI FS-ONE MAX OR FS-ONE INTUMESCENT FIRESTOP SEALANT OR HILTI CP 618 FIRESTOP PUTTY STICK AT CABLE/SLEEVE INTERFACE AT POINT OF CONTACT.

**NOTES :**

1. MAXIMUM DIAMETER OF OPENING = 6".
2. ANNULAR SPACE BETWEEN CABLE BUNDLE AND PERIPHERY OF SLEEVE = MINIMUM 0", MAXIMUM 2-3/4".
3. CABLES TO FILL MAXIMUM 25% OF CROSS-SECTIONAL AREA OF OPENING.
4. APPLY HILTI FS-ONE MAX OR FS-ONE INTUMESCENT FIRESTOP SEALANT OR HILTI CP 618 FIRESTOP PUTTY STICK INTO INTERSTICES OF CABLE BUNDLE, AND VOIDS WITHIN FIRESTOP BLOCKS/FIRE BLOCKS, TO MAXIMUM EXTENT POSSIBLE.
5. HILTI CFS-BL FIRESTOP BLOCKS/FS 657 FIRE BLOCKS AND FS-ONE MAX OR FS-ONE INTUMESCENT FIRESTOP SEALANT/CP 618 FIRESTOP PUTTY STICK ARE REQUIRED ON BOTH SIDES OF A WALL ASSEMBLY.



HILTI, Inc.  
Tulsa, Oklahoma USA (800) 879-8000

Sheet	1 of 1
Scale	1/8" = 1"
Date	Jan. 05, 2015

Drawing No.

**CAJ  
3198c**