

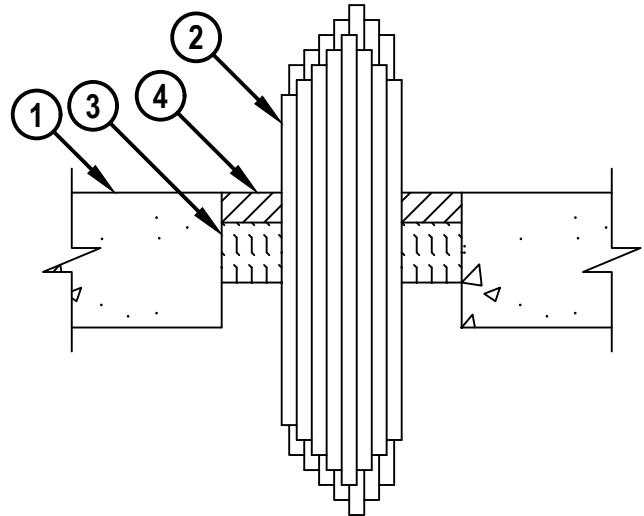
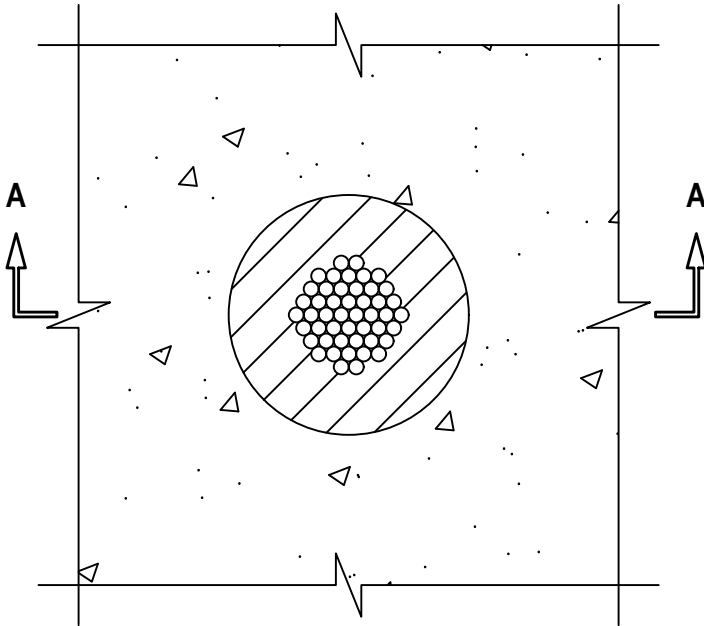
CABLE BUNDLE THROUGH CONCRETE FLOOR/WALL OR BLOCK WALL ASSEMBLY

F-RATING = 1-HR.
T-RATING = 1/2-HR.

CAJ3069k.030723

TOP VIEW

SECTION A-A



1. CONCRETE FLOOR OR WALL ASSEMBLY (1-HR. FIRE-RATING) :
 - A. LIGHTWEIGHT OR NORMAL WEIGHT CONCRETE FLOOR OR WALL (MINIMUM 4-1/2" THICK).
 - B. ANY UL/cUL CLASSIFIED PRECAST (HOLLOW-CORE) CONCRETE FLOOR (MINIMUM 6" THICK).
2. CABLE BUNDLE TO BE MAXIMUM 7/C NO. 12 AWG CABLES WITH PVC OR XLPE INSULATION AND PVC JACKET.
3. MINIMUM 2" THICKNESS MINERAL WOOL (MIN. 4 PCF DENSITY) TIGHTLY PACKED.
4. MINIMUM 1" DEPTH HILTI FS-ONE MAX OR FS-ONE INTUMESCENT FIRESTOP SEALANT.

NOTES : 1. MAXIMUM DIAMETER OF OPENING = 8".
 2. CABLES TO FILL MAXIMUM 20% OF CROSS-SECTIONAL AREA OF OPENING.
 3. MINIMUM 1" DEPTH HILTI FS-ONE MAX OR FS-ONE INTUMESCENT FIRESTOP SEALANT IS REQUIRED ON BOTH SIDES OF A WALL ASSEMBLY.



HILTI, Inc.
Plano, Texas USA (800) 879-8000

Sheet	1 of 1
Scale	5/32" = 1"
Date	Mar. 07, 2023

Drawing No.
**CAJ
3069k**