

UL/cUL SYSTEM NO. W-L-2842

PLASTIC PIPE THROUGH GYPSUM WALL ASSEMBLY

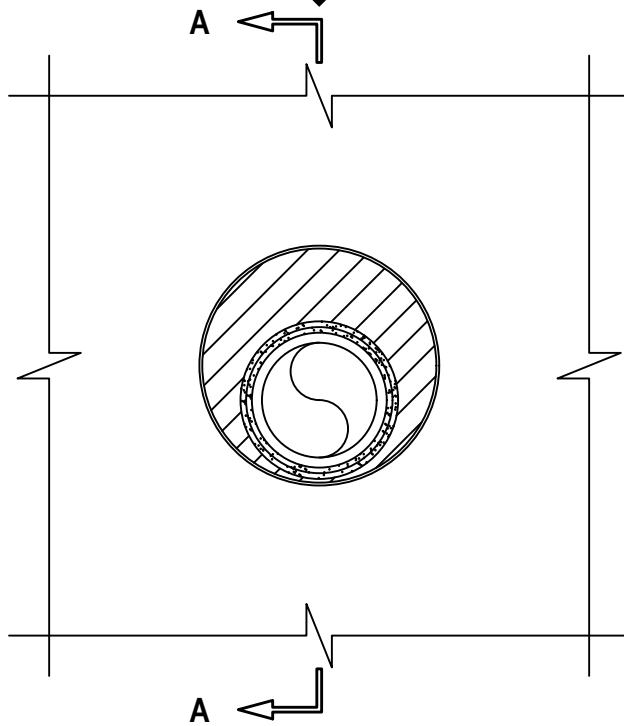
F-RATING = 1-HR. OR 2-HR.

T-RATING = 0-HR., 1/4-HR., 1-HR., OR 2-HR. (SEE NOTE BELOW)

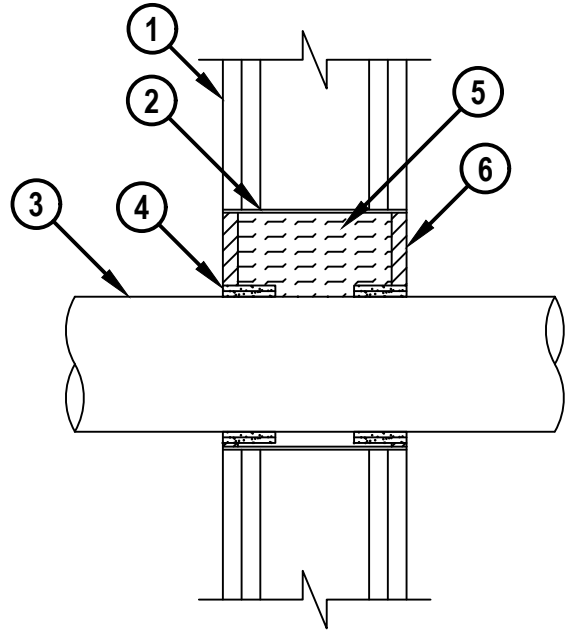
NOTE : TESTED WITH A 2.5 Pa PRESSURE DIFFERENTIAL

WL2842b.062223

FRONT VIEW



SECTION A-A



HILTI, Inc.
Plano, Texas USA (800) 879-8000

Sheet	1 of 2
Scale	5/32" = 1"
Date	June 22, 2023

Drawing No.
**WL
2842b**

Saving Lives through Innovation and Education

UL/cUL SYSTEM NO. W-L-2842

PLASTIC PIPE THROUGH GYPSUM WALL ASSEMBLY

F-RATING = 1-HR. OR 2-HR.

T-RATING = 0-HR., 1/4-HR., 1-HR., OR 2-HR. (SEE NOTE BELOW)

NOTE : TESTED WITH A 2.5 Pa PRESSURE DIFFERENTIAL

WL2842b.062223

1. GYPSUM WALL ASSEMBLY (UL/cUL CLASSIFIED U300, U400, V400, OR W400 SERIES) (1-HR. OR 2-HR. FIRE-RATING) (2-HR. SHOWN) TO INCLUDE THE FOLLOWING CONSTRUCTION FEATURES :
 - A. [NOT SHOWN] WOOD STUDS TO CONSIST OF NOMINAL 2" x 4" LUMBER (SPACED MAXIMUM 16" OC). STEEL STUDS TO BE MINIMUM 3-5/8" WIDE (SPACED MAXIMUM 24" OC).
 - B. NOMINAL 5/8" THICK GYPSUM WALLBOARD. TYPE, NUMBER OF LAYERS, AND SHEET ORIENTATION AS SPECIFIED IN THE INDIVIDUAL UL DESIGN.
2. STEEL SHEET METAL PIPE SLEEVE (MAXIMUM 8" DIAMETER, 30 GAUGE THICKNESS WITH 1" OVERLAP ALONG THE LONGITUDINAL SEAM) INSTALLED FLUSH WITH BOTH SIDES OF THE WALL ASSEMBLY.
3. PENETRATING ITEM TO BE ONE OF THE FOLLOWING NONMETALLIC PIPES :
 - A. MAXIMUM 4" NOMINAL DIAMETER PVC PLASTIC PIPE (SCHEDULE 40 OR 80) (CLOSED OR VENTED PIPING SYSTEM).
 - B. MAXIMUM 4" NOMINAL DIAMETER CPVC PLASTIC PIPE (SCHEDULE 40 OR 80) (CLOSED OR VENTED PIPING SYSTEM).
4. HILTI CP 648E WRAP STRIP (NOMINAL 3/16" THICK x 1-3/4" WIDE) CONTINUOUSLY WRAPPED AROUND THE OUTER CIRCUMFERENCE OF THE PIPE, COVERING TWO TIMES, WITH ENDS HELD IN PLACE WITH (MASKING OR ALUMINUM) TAPE. LAYERS OF WRAP STRIP TO BE FLUSH WITH WALL SURFACE ON EACH SIDE.
5. MINERAL WOOL (MIN. 4 PCF DENSITY) TIGHTLY PACKED TO FILL SLEEVED OPENING AND RECESSED 1/2" FROM BOTH SIDES OF WALL TO ACCOMMODATE SEALANT.
6. MINIMUM 1/2" DEPTH HILTI FS-ONE MAX INTUMESCENT FIRESTOP SEALANT.

NOTES : 1. MAXIMUM DIAMETER OF OPENING = 8".
2. ANNULAR SPACE = MINIMUM 1/2", MAXIMUM 3".
3. WHEN PVC IS USED, T-RATING IS 1 OR 2 HOURS FOR 1 OR 2 HOUR RATED ASSEMBLIES;
WHEN CPVC IS USED, T-RATINGS ARE 0 AND 1/4 HOUR FOR 1 OR 2 HOUR RATED ASSEMBLIES, RESPECTIVELY.



HILTI, Inc.
Plano, Texas USA (800) 879-8000

Sheet	2 of 2
Scale	-
Date	June 22, 2023

Drawing No.
**WL
2842b**

Saving Lives through Innovation and Education