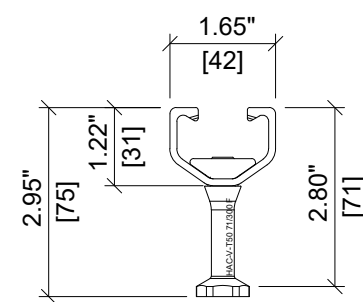
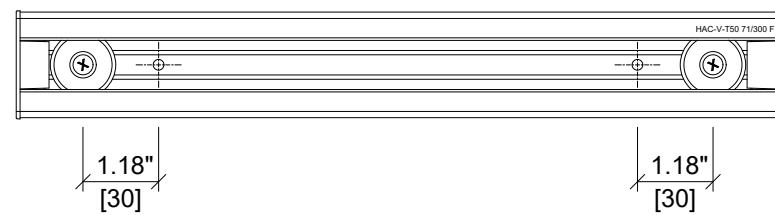


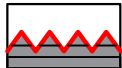
ELEVATION VIEW



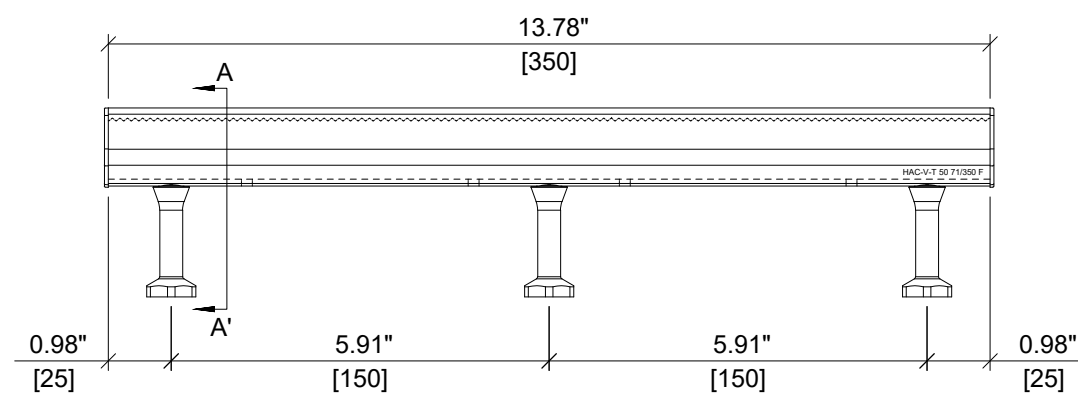
SECTION A-A'



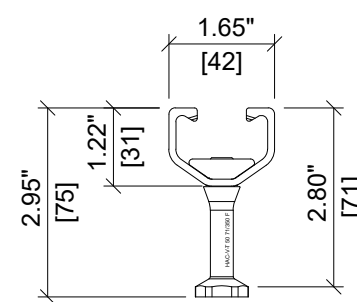
PLAN VIEW

| | |
|--|---|
| HILTI | |
| ITEM NUMBER: 2331606 | CHANNEL LIP: SERRATED  |
| ITEM DESCRIPTION: HAC-V-T50 71/300 F | |

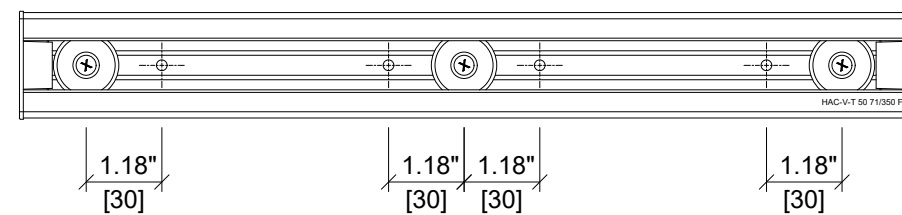




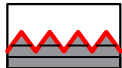
ELEVATION VIEW



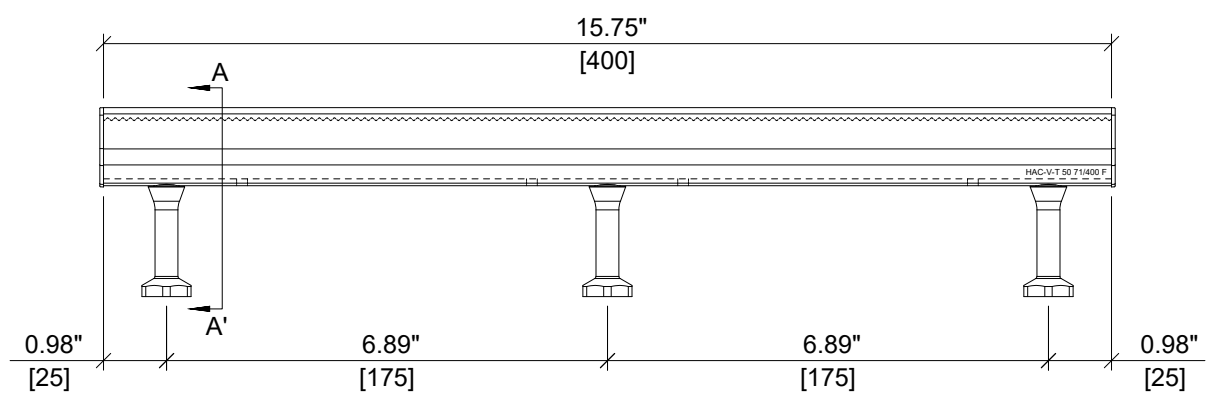
SECTION A-A'



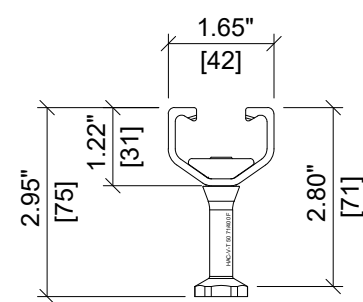
PLAN VIEW

| | |
|--|---|
| HILTI | |
| ITEM NUMBER: 2331607 | CHANNEL LIP: SERRATED  |
| ITEM DESCRIPTION: HAC-V-T50 71/350 F | |

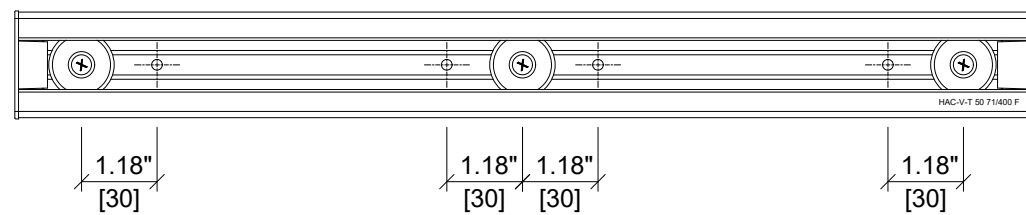




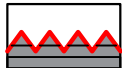
ELEVATION VIEW



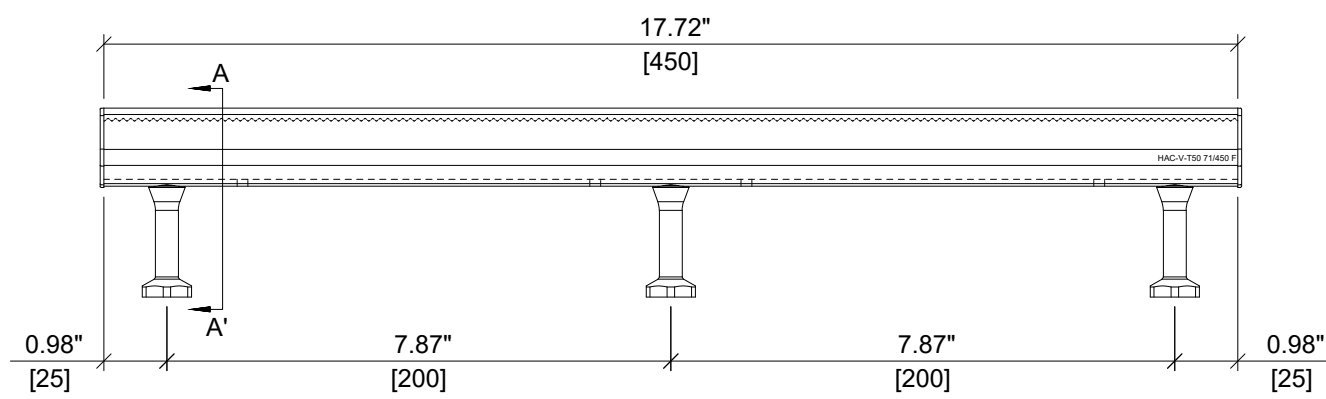
SECTION A-A'



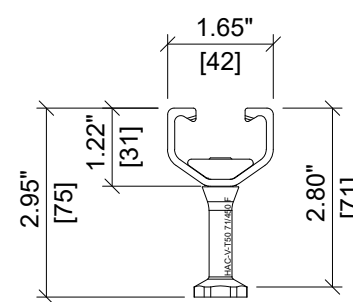
PLAN VIEW

| | |
|--|---|
| HILTI | |
| ITEM NUMBER: 2331608 | CHANNEL LIP: SERRATED  |
| ITEM DESCRIPTION: HAC-V-T50 71/400 F | |

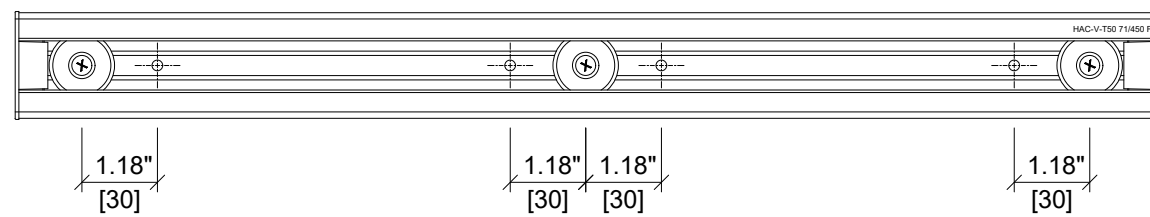




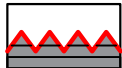
ELEVATION VIEW



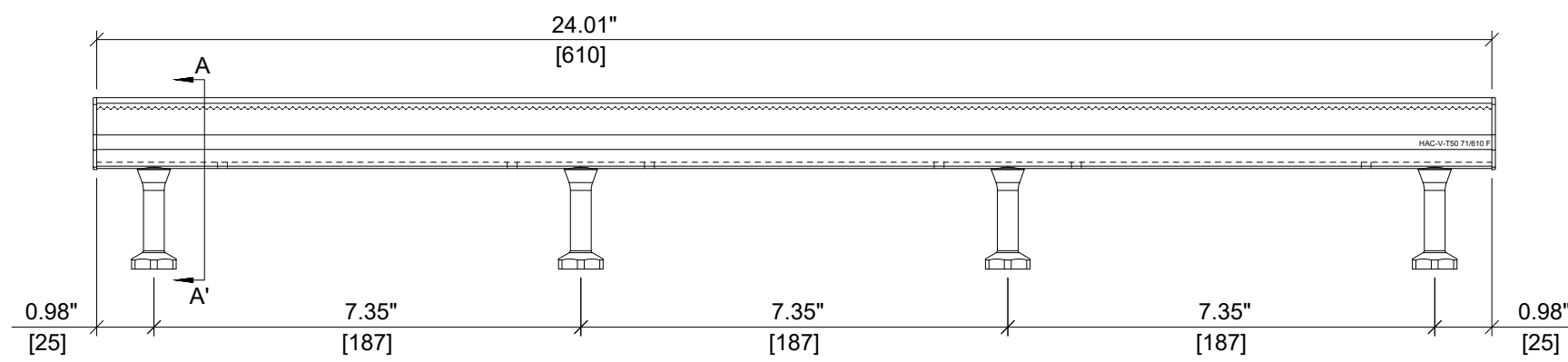
SECTION A-A'



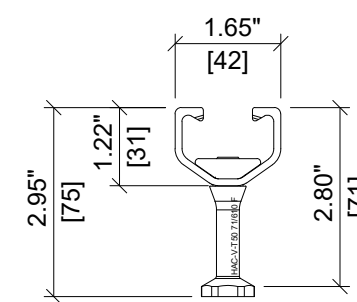
PLAN VIEW

| | |
|--|---|
| HILTI | |
| ITEM NUMBER: 2331609 | CHANNEL LIP: SERRATED  |
| ITEM DESCRIPTION: HAC-V-T50 71/450 F | |

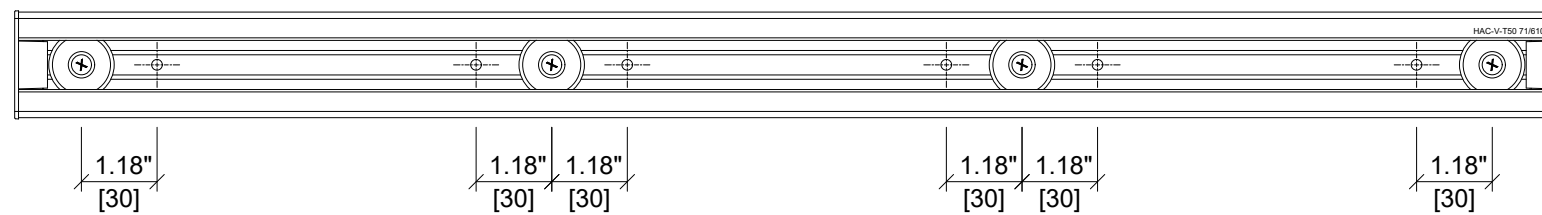




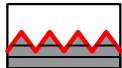
ELEVATION VIEW



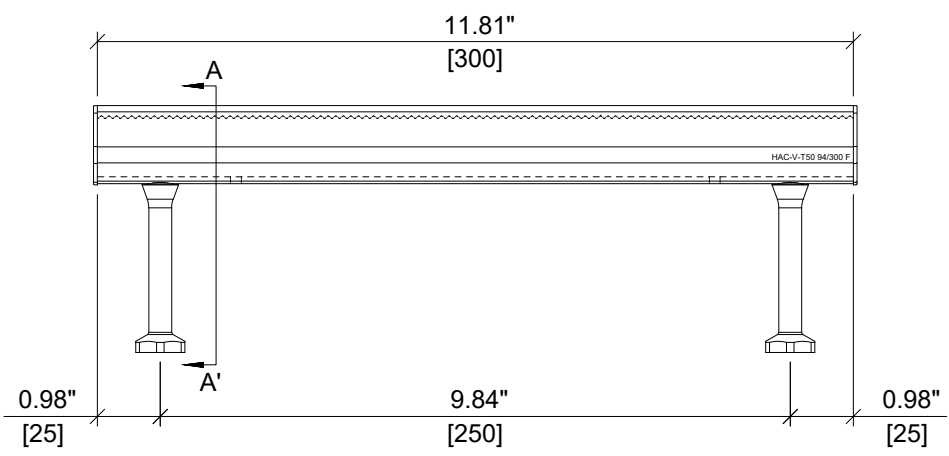
SECTION A-A'



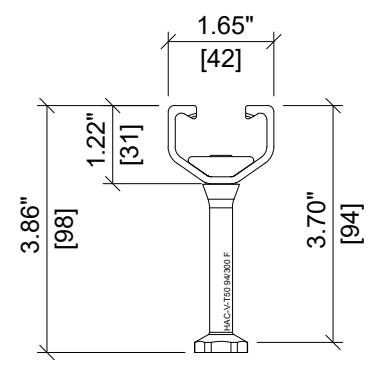
PLAN VIEW

| | |
|--|---|
| HILTI | |
| ITEM NUMBER: 2331610 | CHANNEL LIP: SERRATED  |
| ITEM DESCRIPTION: HAC-V-T50 71/610 F | |

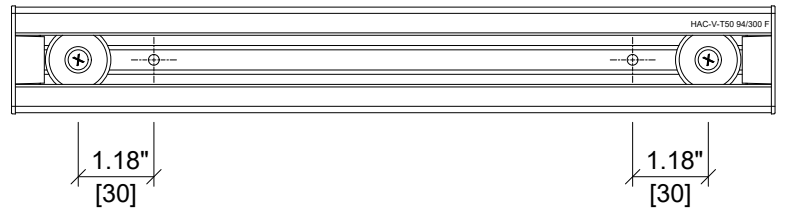




ELEVATION VIEW

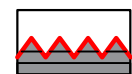


SECTION A-A'



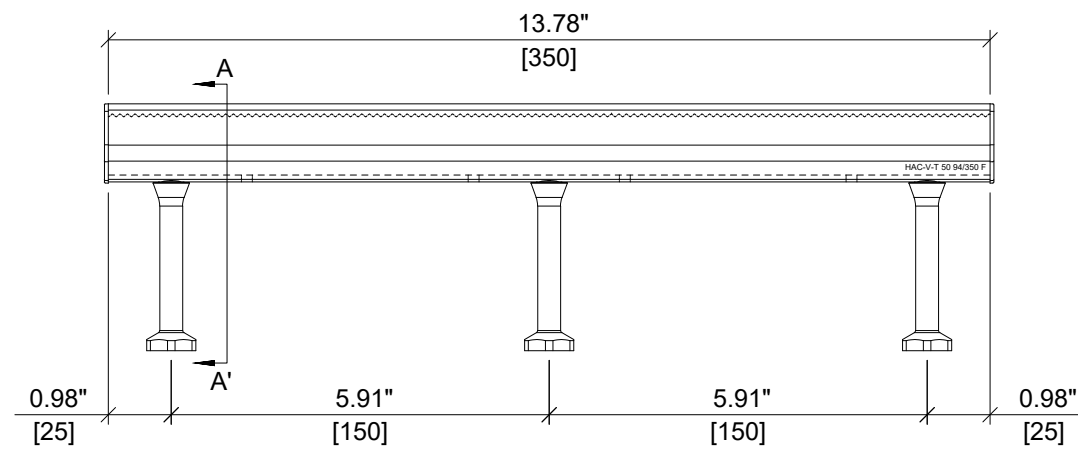
PLAN VIEW



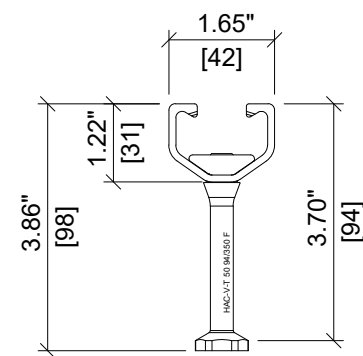
| | |
|--------------------------------|---|
| ITEM NUMBER: 2331611 | CHANNEL LIP: SERRATED  |
|--------------------------------|---|

ITEM DESCRIPTION:
HAC-V-T50 94/300 F

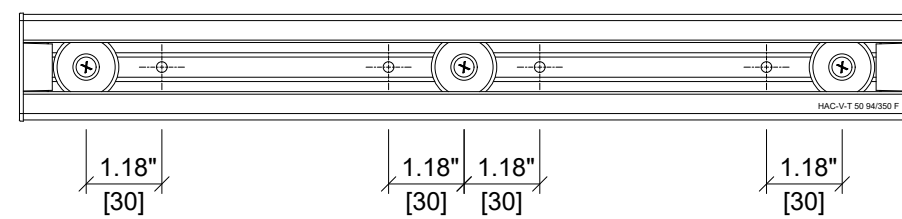




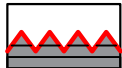
ELEVATION VIEW



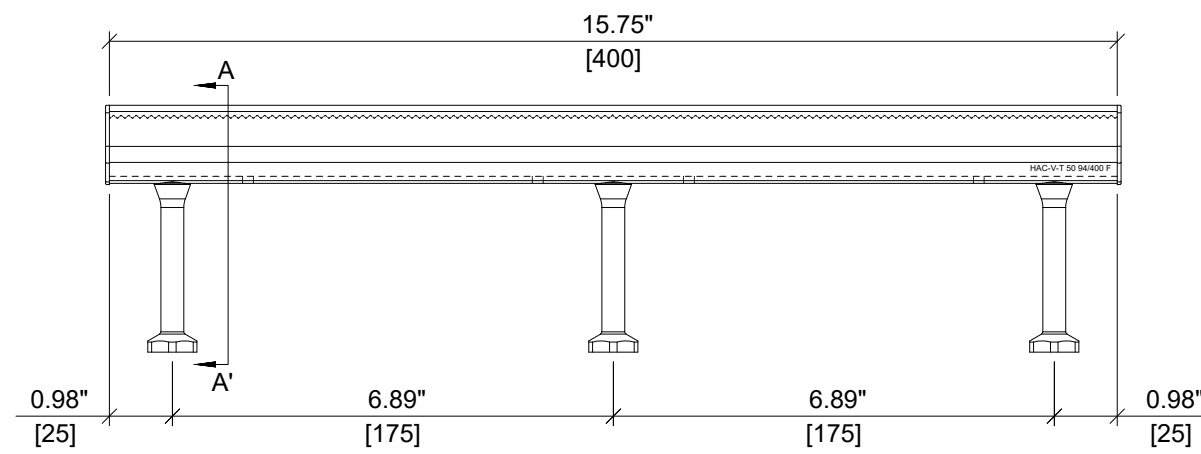
SECTION A-A'



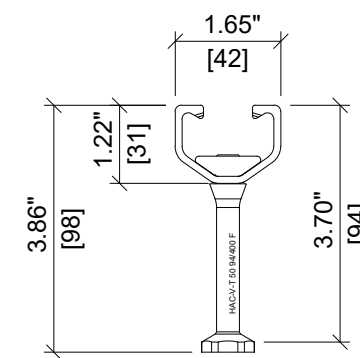
PLAN VIEW

| | |
|--|---|
| HILTI | |
| ITEM NUMBER: 2331612 | CHANNEL LIP: SERRATED  |
| ITEM DESCRIPTION: HAC-V-T50 94/350 F | |

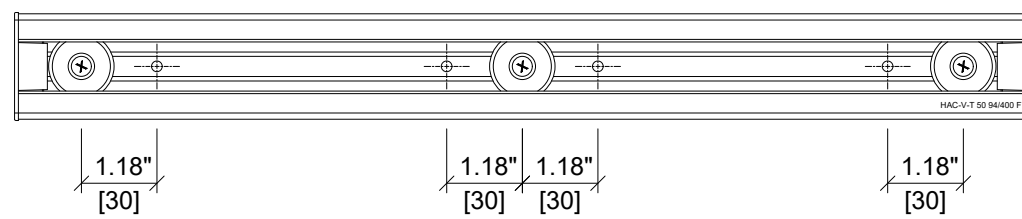




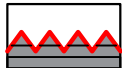
ELEVATION VIEW



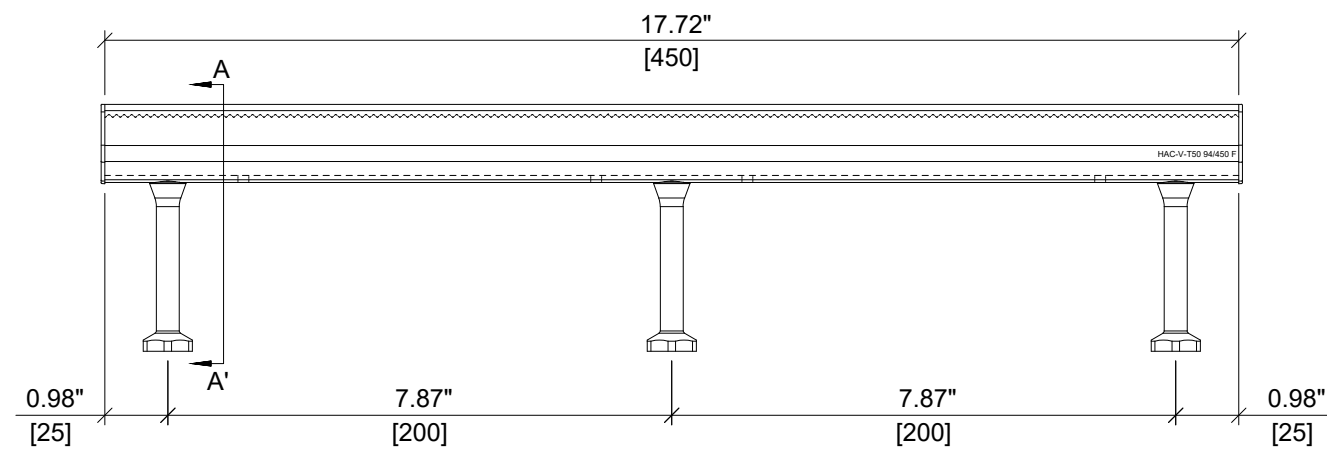
SECTION A-A'



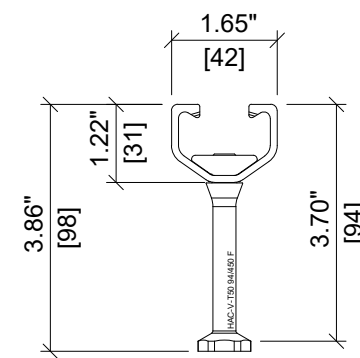
PLAN VIEW

| | |
|--|---|
| HILTI | |
| ITEM NUMBER: 2331613 | CHANNEL LIP: SERRATED  |
| ITEM DESCRIPTION: HAC-V-T50 94/400 F | |

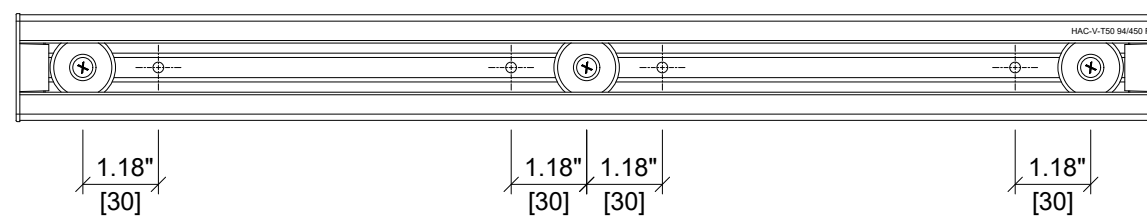




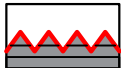
ELEVATION VIEW



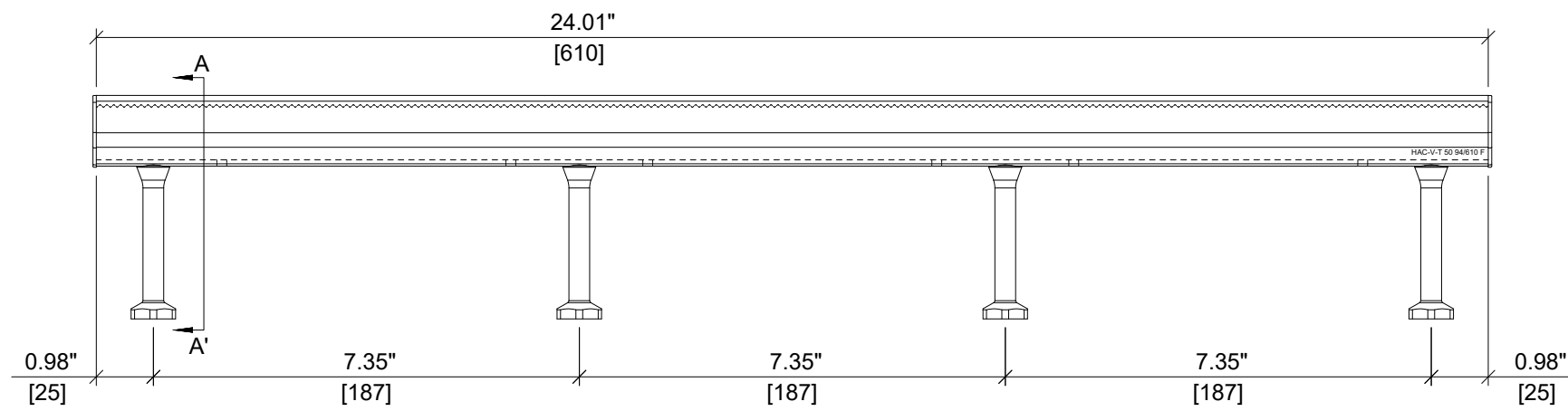
SECTION A-A'



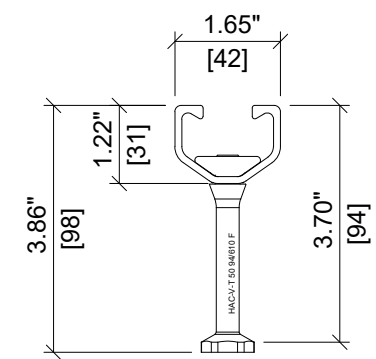
PLAN VIEW

| | |
|--|---|
| HILTI | |
| ITEM NUMBER: 2331614 | CHANNEL LIP: SERRATED  |
| ITEM DESCRIPTION: HAC-V-T50 94/450 F | |

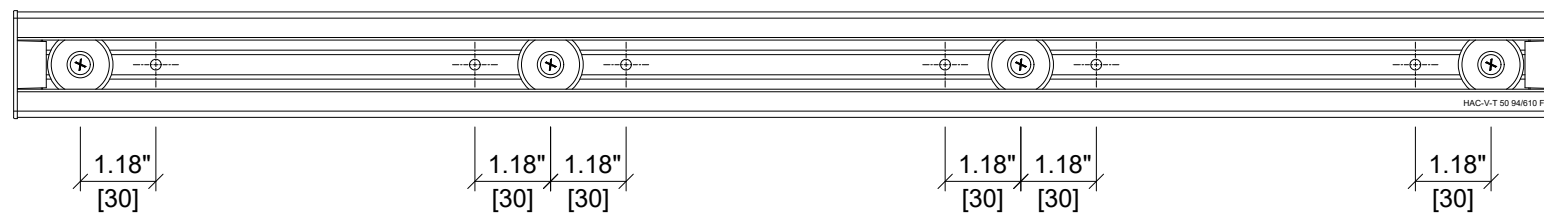




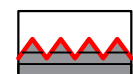
ELEVATION VIEW



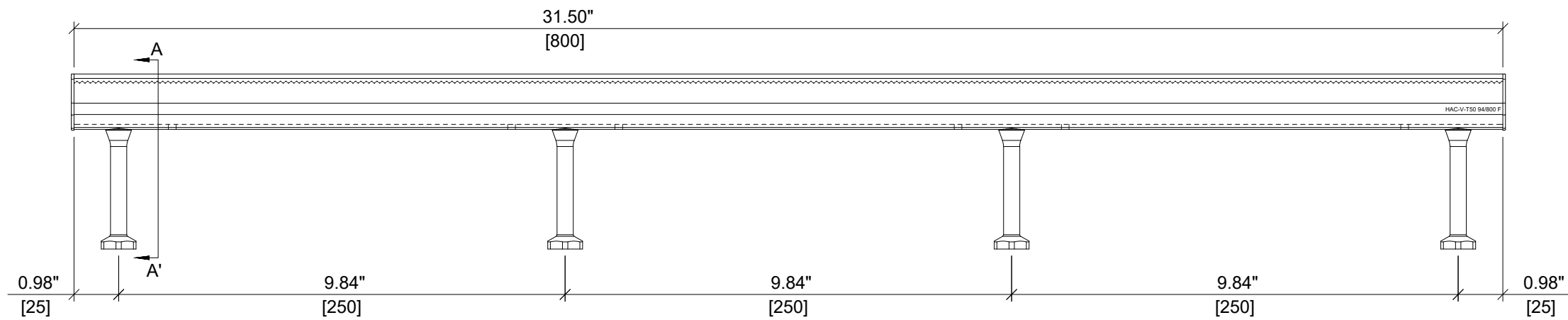
SECTION A-A'



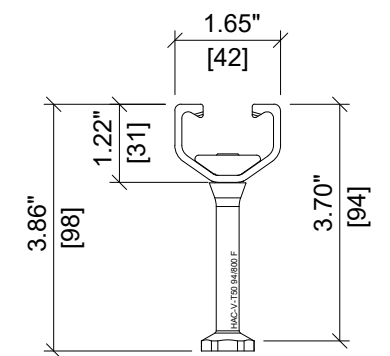
PLAN VIEW

| | |
|--|---|
| HILTI | |
| ITEM NUMBER: 2331615 | CHANNEL LIP: SERRATED  |
| ITEM DESCRIPTION: HAC-V-T50 94/610 F | |

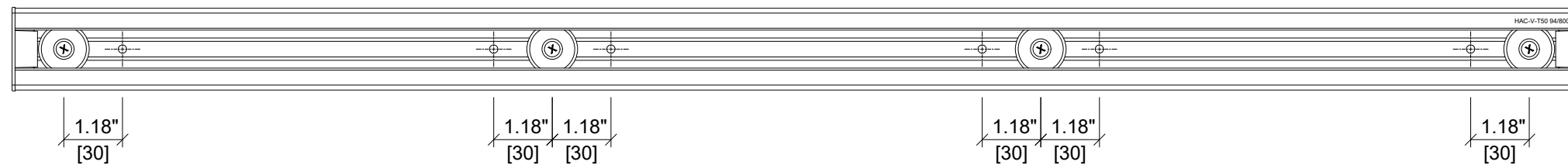




ELEVATION VIEW

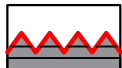


SECTION A-A'

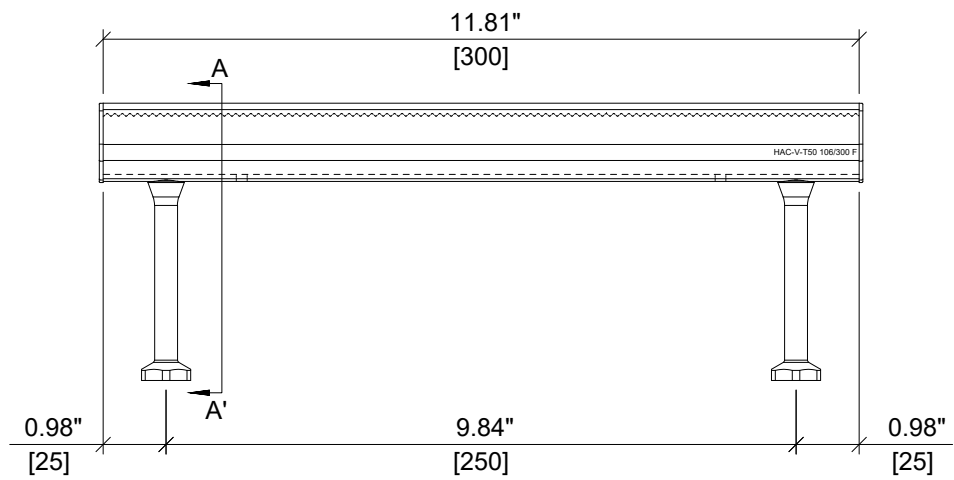


PLAN VIEW

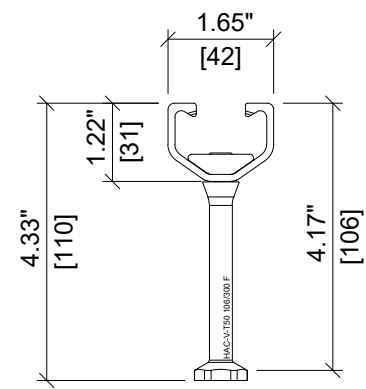


| | |
|--|---|
| ITEM NUMBER: 2331616 | CHANNEL LIP: SERRATED  |
| ITEM DESCRIPTION: HAC-V-T50 94/800 F | |

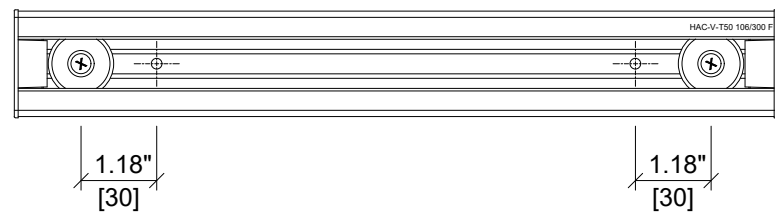




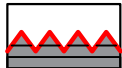
ELEVATION VIEW



SECTION A-A'



PLAN VIEW

| | |
|---|---|
| HILTI | |
| ITEM NUMBER: 2331616A | CHANNEL LIP: SERRATED  |
| ITEM DESCRIPTION: HAC-V-T50 106/300 F | |



1 2 3 4 5 6 7 8

A A

B B

C C

D D

E E

F F

1 2 3 4 5 6 7 8

A A

B B

C C

D D

E E

F F

1 2 3 4 5 6 7 8

A A

B B

C C

D D

E E

F F

1 2 3 4 5 6 7 8

A A

B B

C C

D D

E E

F F

1 2 3 4 5 6 7 8

A A

B B

C C

D D

E E

F F

1 2 3 4 5 6 7 8

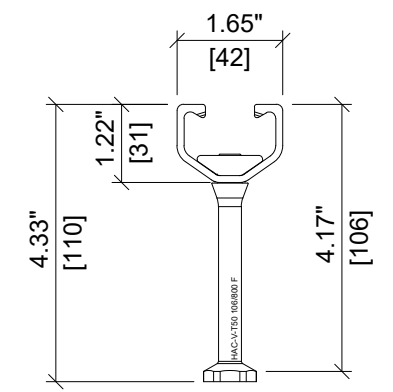
A A

B B

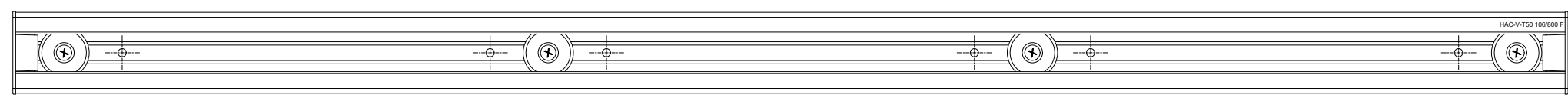
C C

D D

ELEVATION VIEW

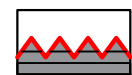


SECTION A-A'



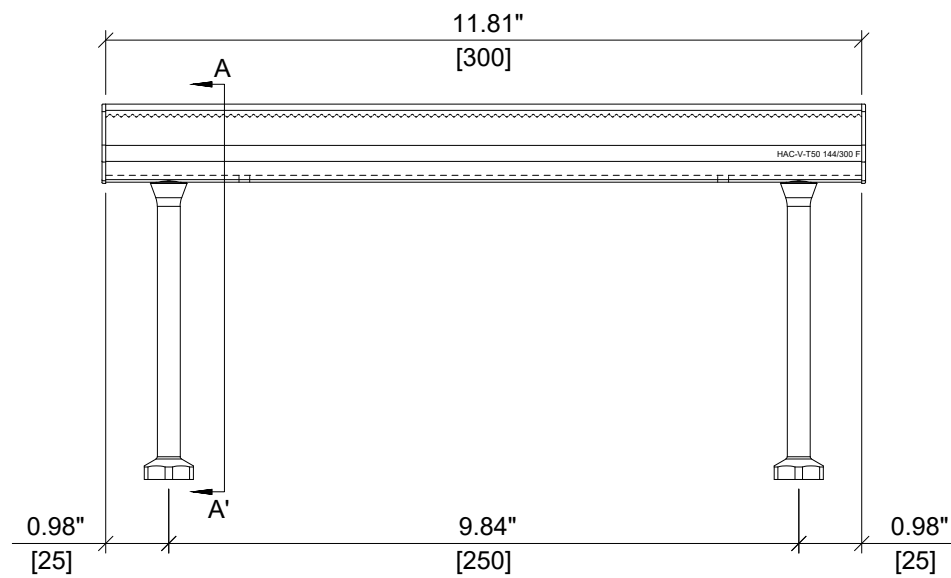
PLAN VIEW



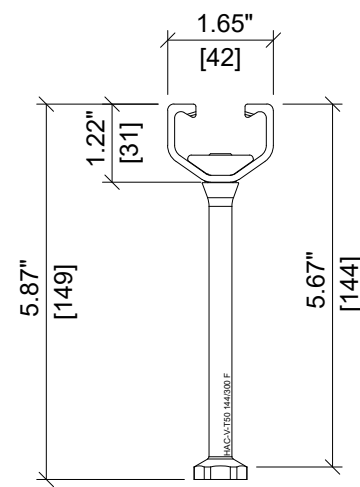
| | |
|--------------------------------|---|
| ITEM NUMBER: 2331622 | CHANNEL LIP: SERRATED  |
|--------------------------------|---|

ITEM DESCRIPTION:
HAC-V-T50 106/800 F

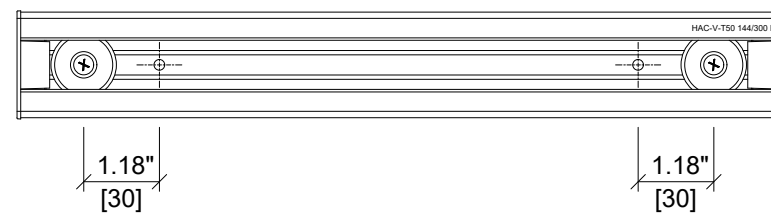




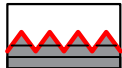
ELEVATION VIEW



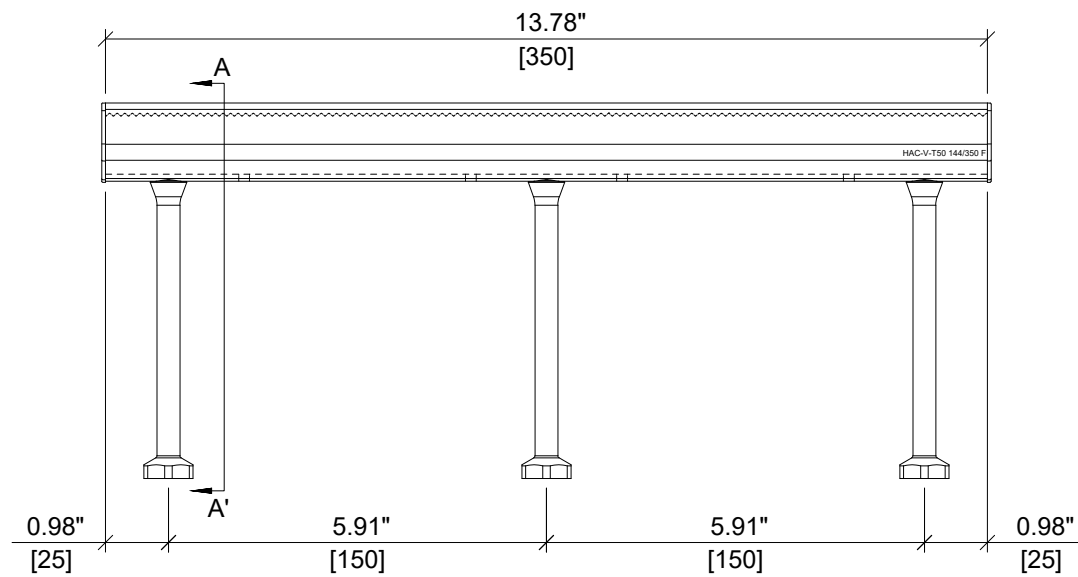
SECTION A-A'



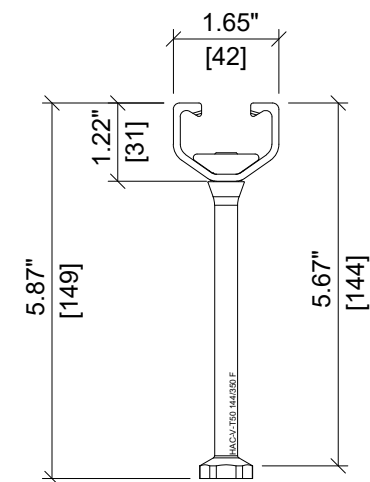
PLAN VIEW

| | |
|---|---|
| HILTI | |
| ITEM NUMBER: 2331599 | CHANNEL LIP: SERRATED  |
| ITEM DESCRIPTION: HAC-V-T50 144/300 F | |

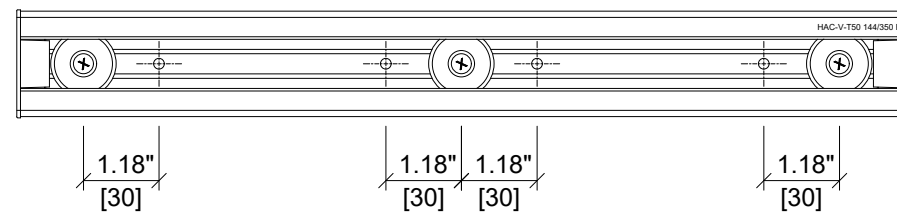




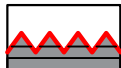
ELEVATION VIEW



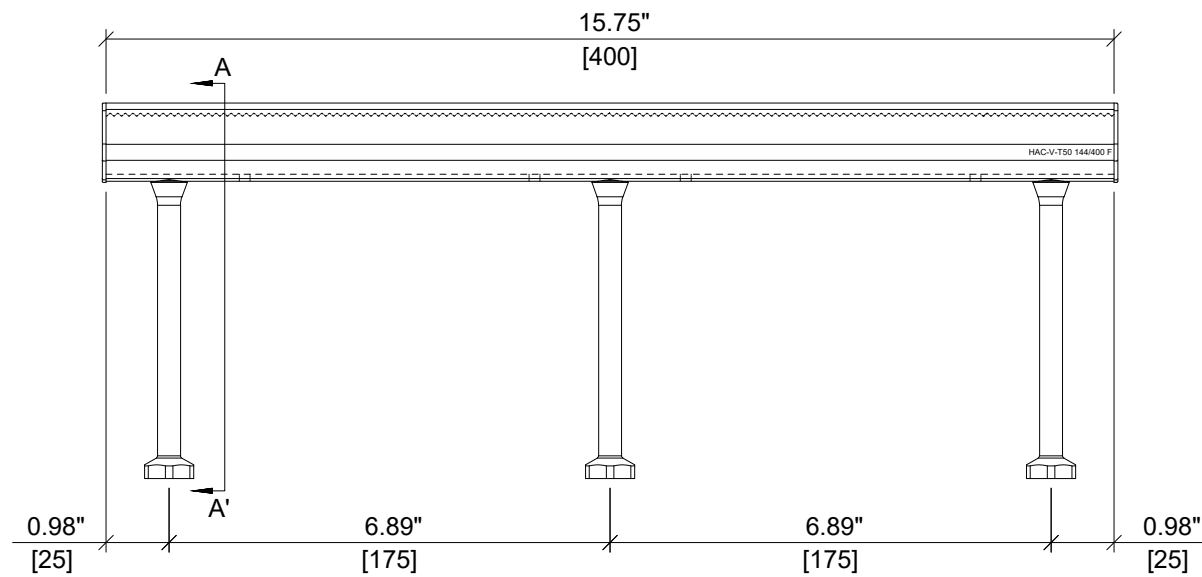
SECTION A-A'



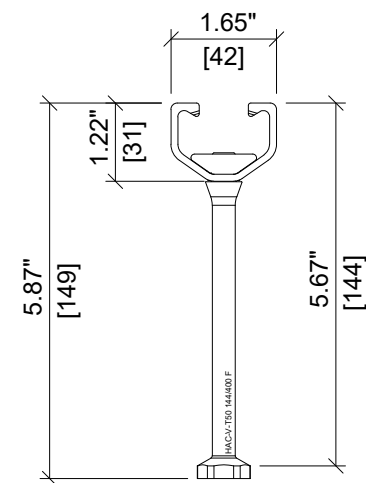
PLAN VIEW

| | |
|---|---|
| HILTI | |
| ITEM NUMBER: 2331600 | CHANNEL LIP: SERRATED  |
| ITEM DESCRIPTION: HAC-V-T50 144/350 F | |

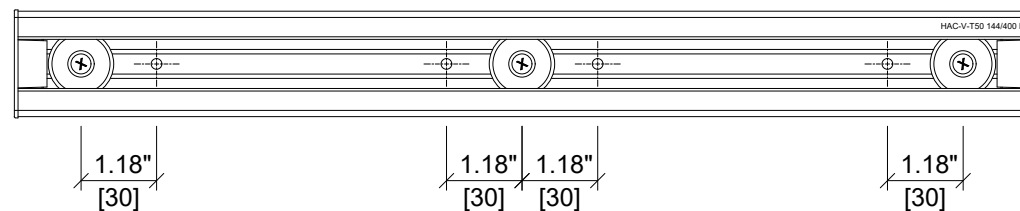




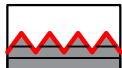
ELEVATION VIEW



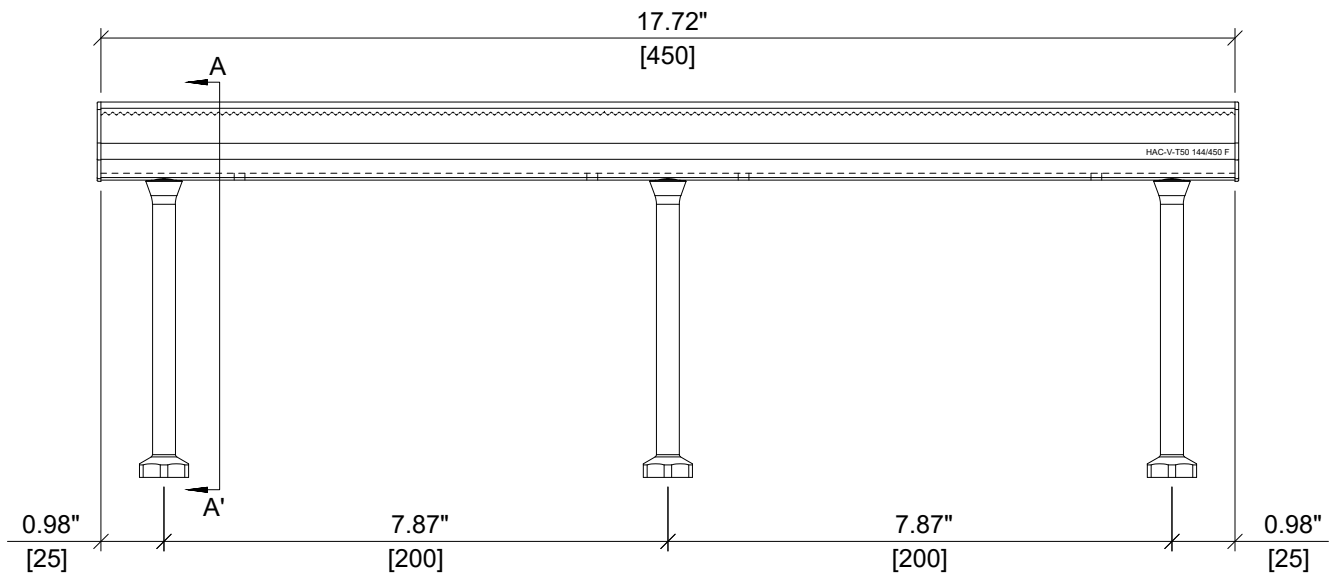
SECTION A-A'



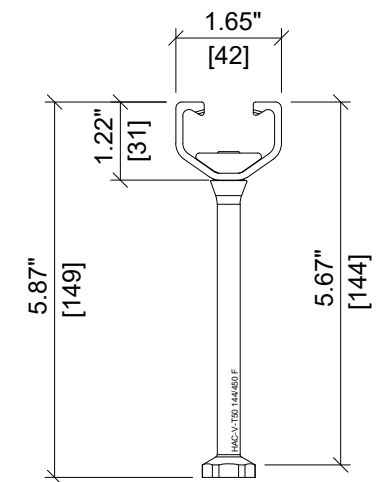
PLAN VIEW

| | |
|---|---|
| HILTI | |
| ITEM NUMBER: 2331601 | CHANNEL LIP: SERRATED  |
| ITEM DESCRIPTION: HAC-V-T50 144/400 F | |

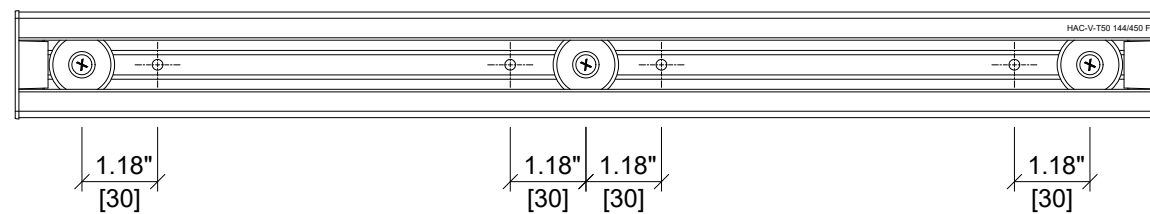




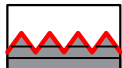
ELEVATION VIEW



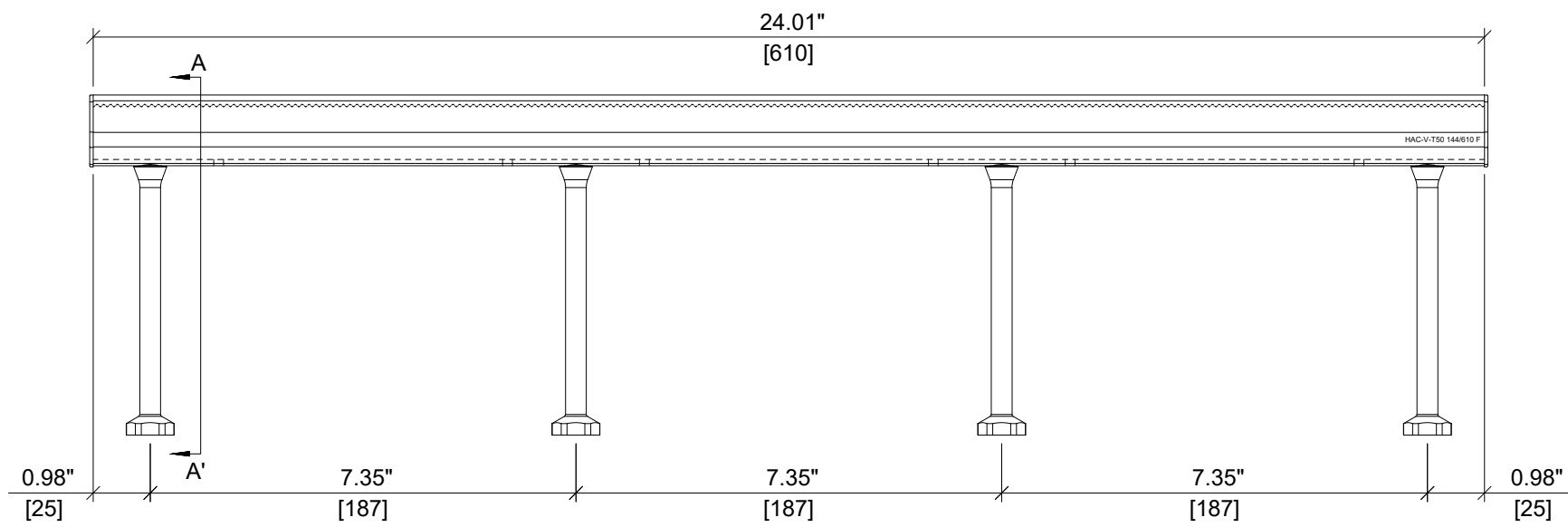
SECTION A-A'



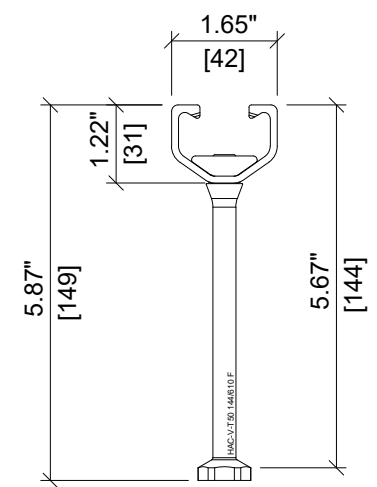
PLAN VIEW

| | |
|---|---|
| HILTI | |
| ITEM NUMBER: 2331602 | CHANNEL LIP: SERRATED  |
| ITEM DESCRIPTION: HAC-V-T50 144/450 F | |





ELEVATION VIEW



SECTION A-A'



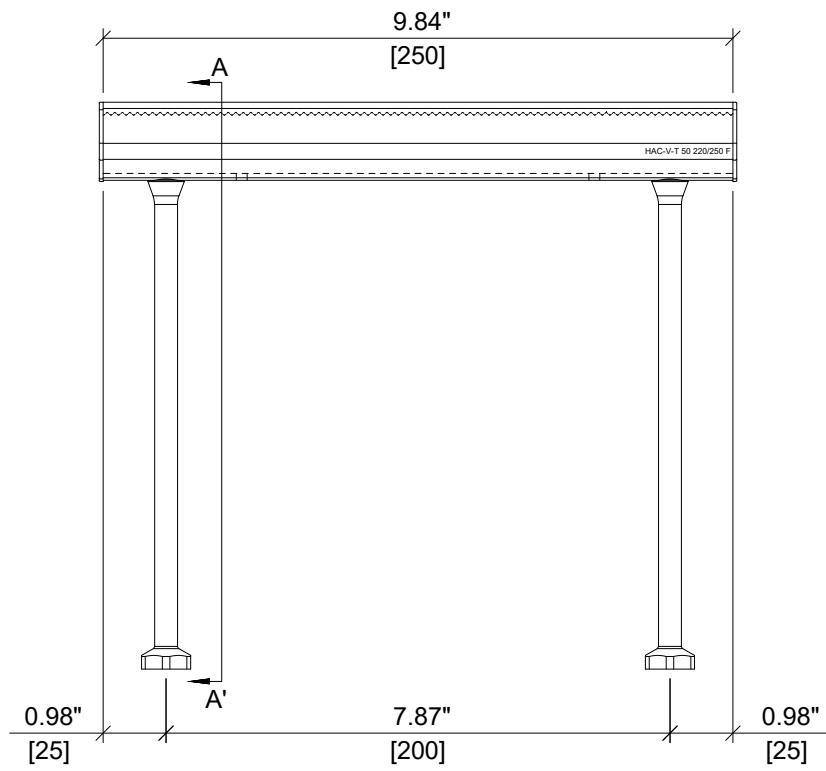
PLAN VIEW



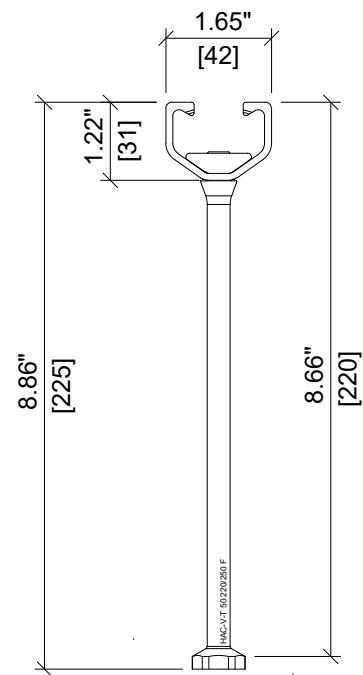
| | |
|--------------------------------|---|
| ITEM NUMBER: 2331603 | CHANNEL LIP: SERRATED  |
|--------------------------------|---|

ITEM DESCRIPTION:
HAC-V-T50 144/610 F

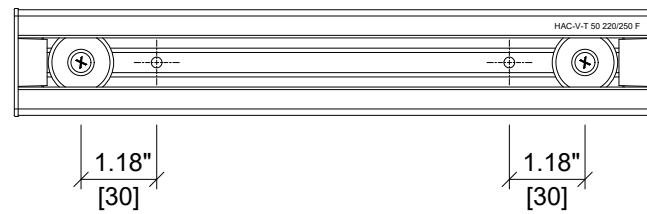





ELEVATION VIEW



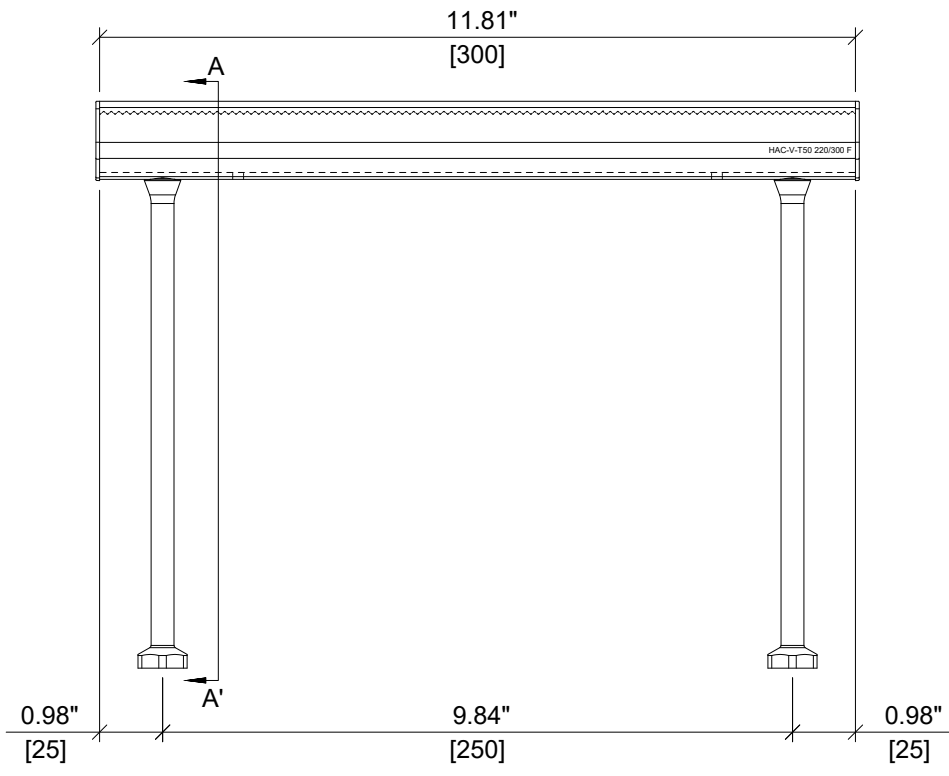
SECTION A-A'



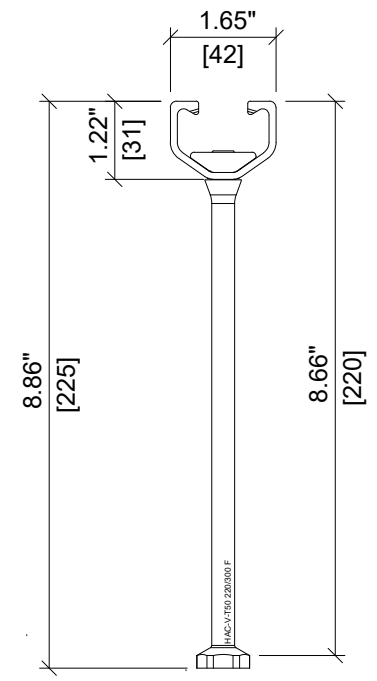
PLAN VIEW

| | |
|---|---|
| HILTI | |
| ITEM NUMBER: TBD | CHANNEL LIP: SERRATED  |
| ITEM DESCRIPTION: HAC-V-T50 220/250 F | |

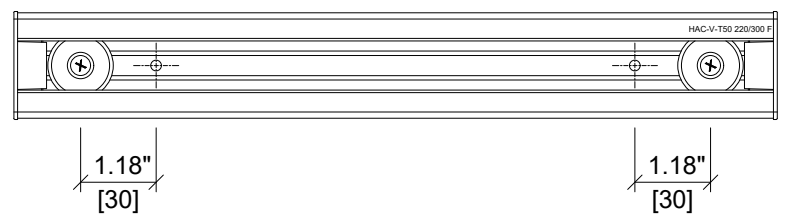




ELEVATION VIEW

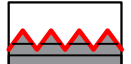


SECTION A-A'



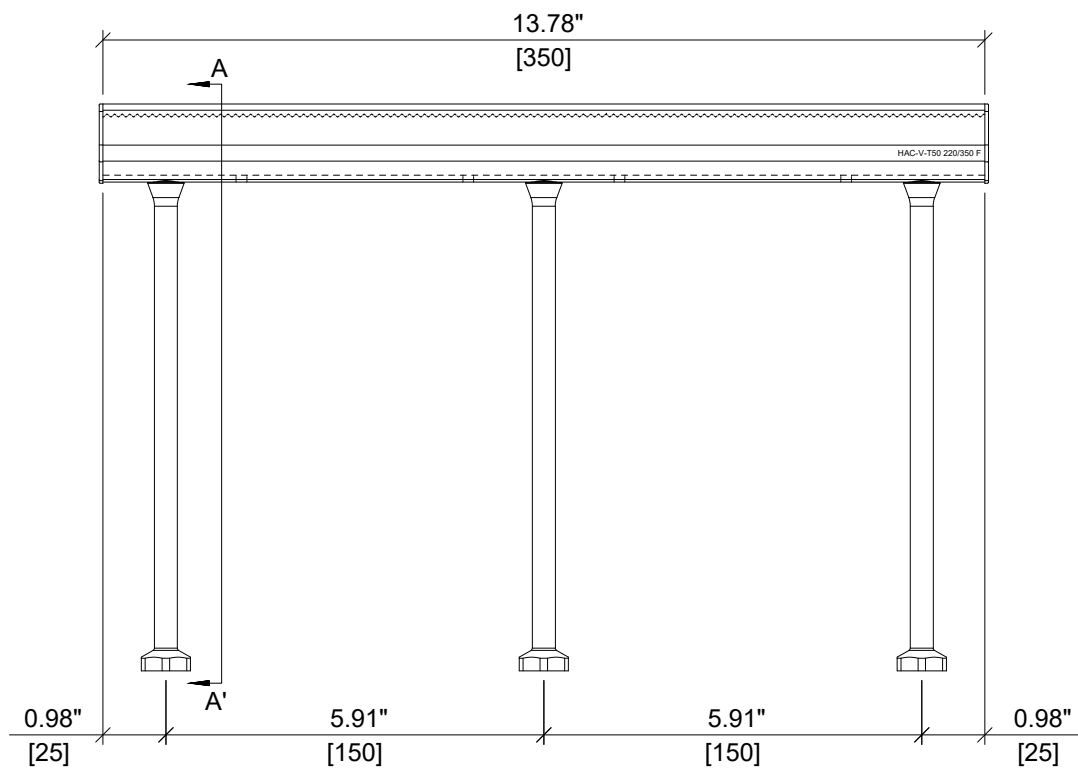
PLAN VIEW



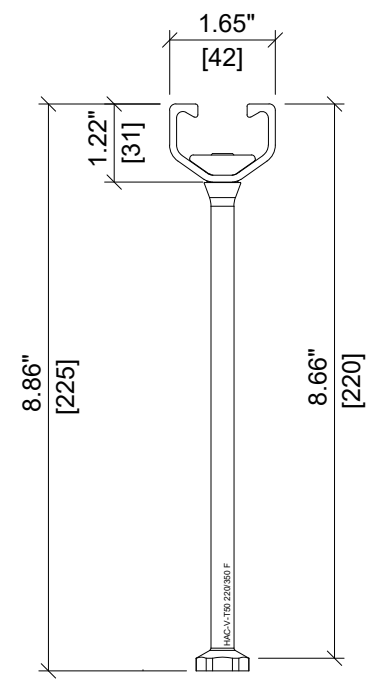
| | |
|--------------------------------|---|
| ITEM NUMBER: 2331624 | CHANNEL LIP: SERRATED  |
|--------------------------------|---|

ITEM DESCRIPTION:
HAC-V-T50 220/300 F

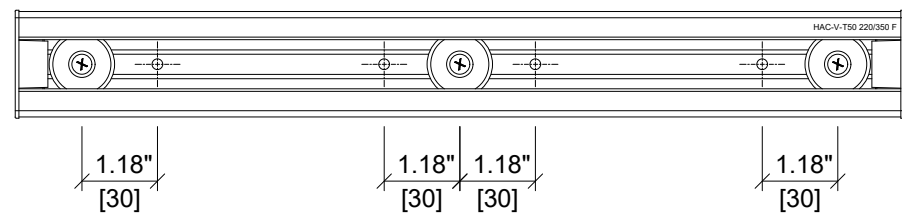




ELEVATION VIEW



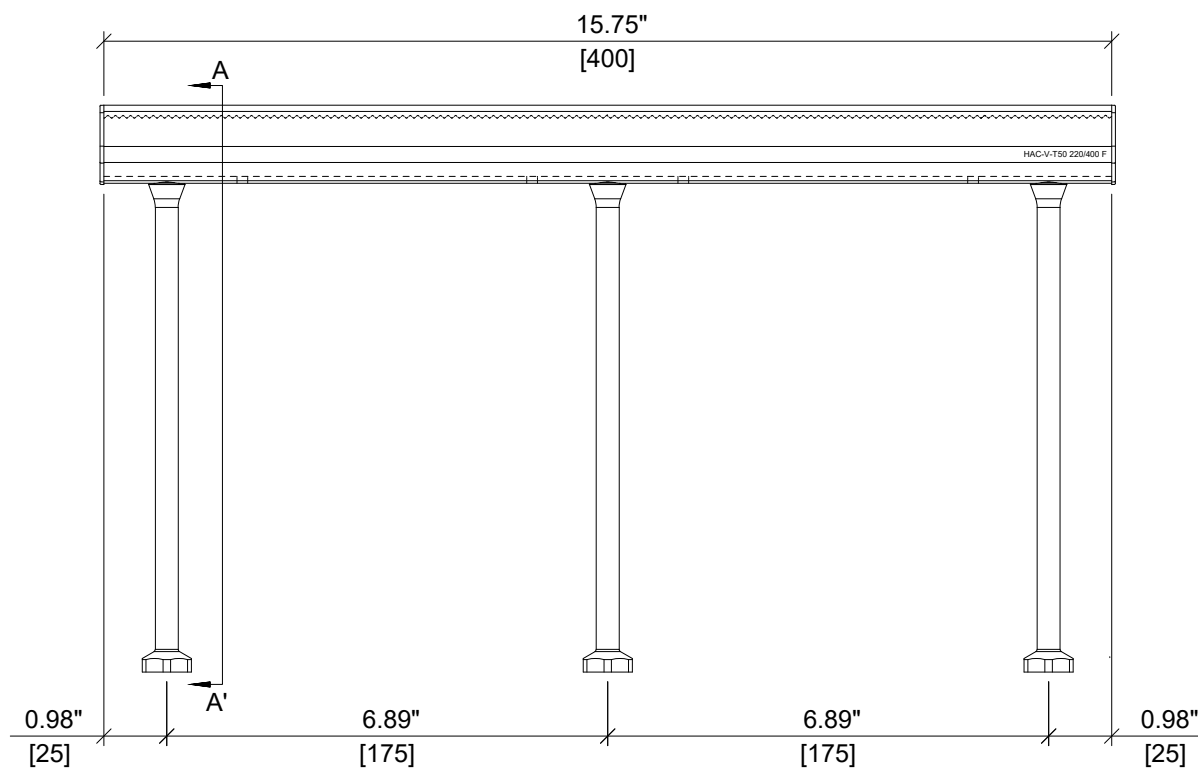
SECTION A-A'



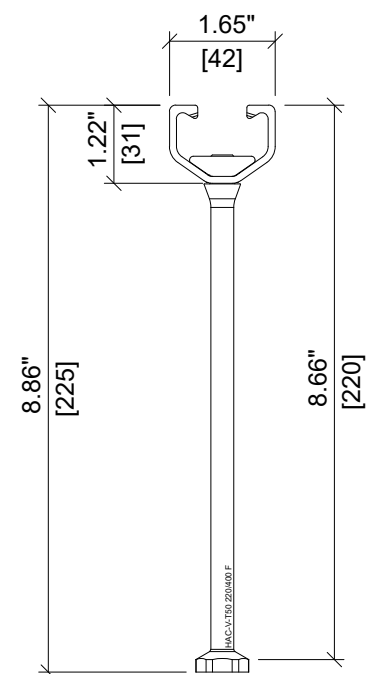
PLAN VIEW

| | |
|---|---------------------------------|
| | |
| ITEM NUMBER: 2331625 | CHANNEL LIP: SERRATED |
| ITEM DESCRIPTION: HAC-V-T50 220/350 F | |

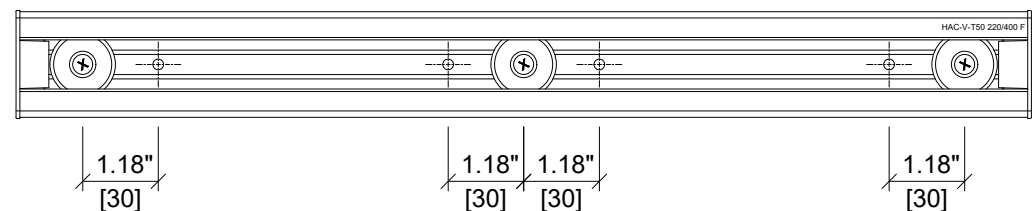




ELEVATION VIEW



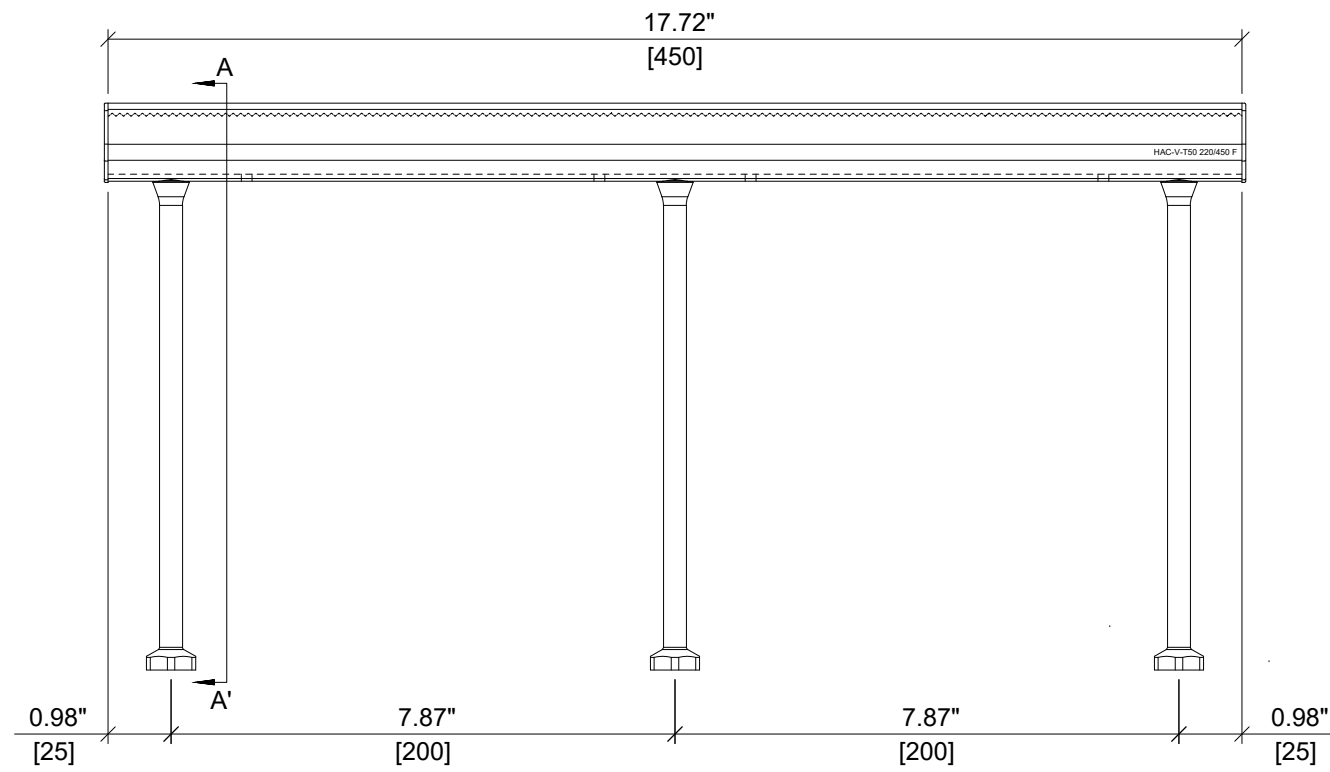
SECTION A-A'



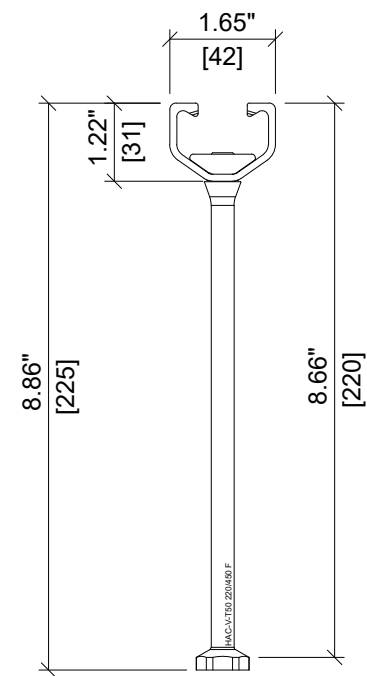
PLAN VIEW

| | |
|---|---------------------------------|
| | |
| ITEM NUMBER: 2331626 | CHANNEL LIP: SERRATED |
| ITEM DESCRIPTION: HAC-V-T50 220/400 F | |

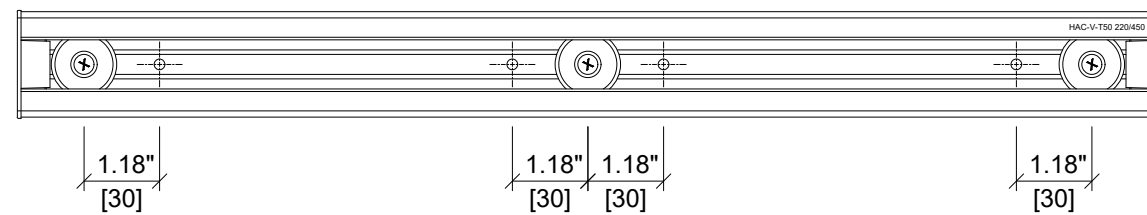





ELEVATION VIEW



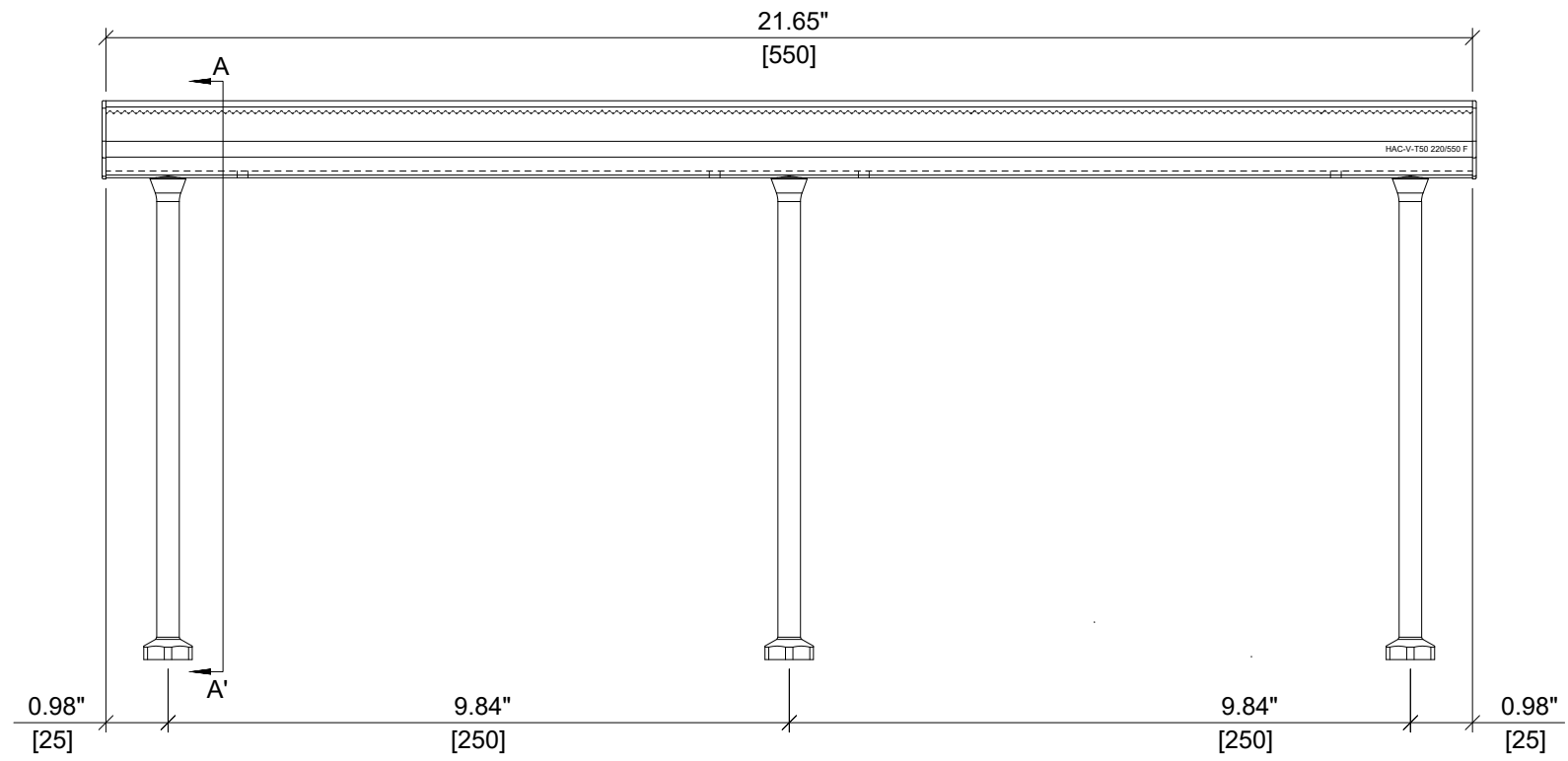
SECTION A-A'



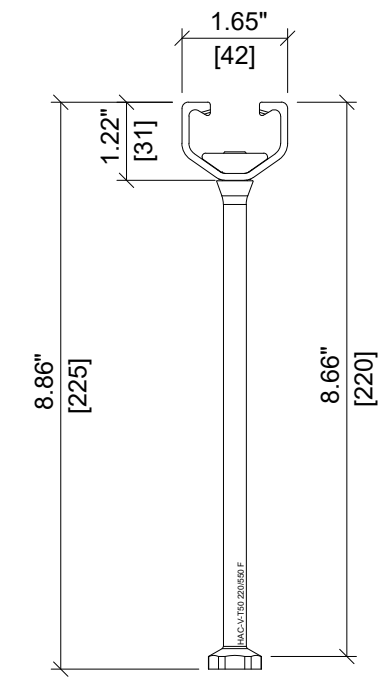
PLAN VIEW

| | |
|---|---|
| HILTI | |
| ITEM NUMBER: 2331627 | CHANNEL LIP: SERRATED  |
| ITEM DESCRIPTION: HAC-V-T50 220/450 F | |

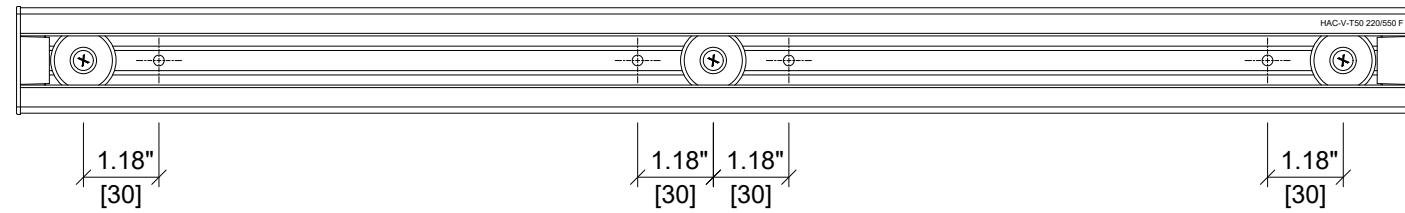




ELEVATION VIEW




SECTION A-A'



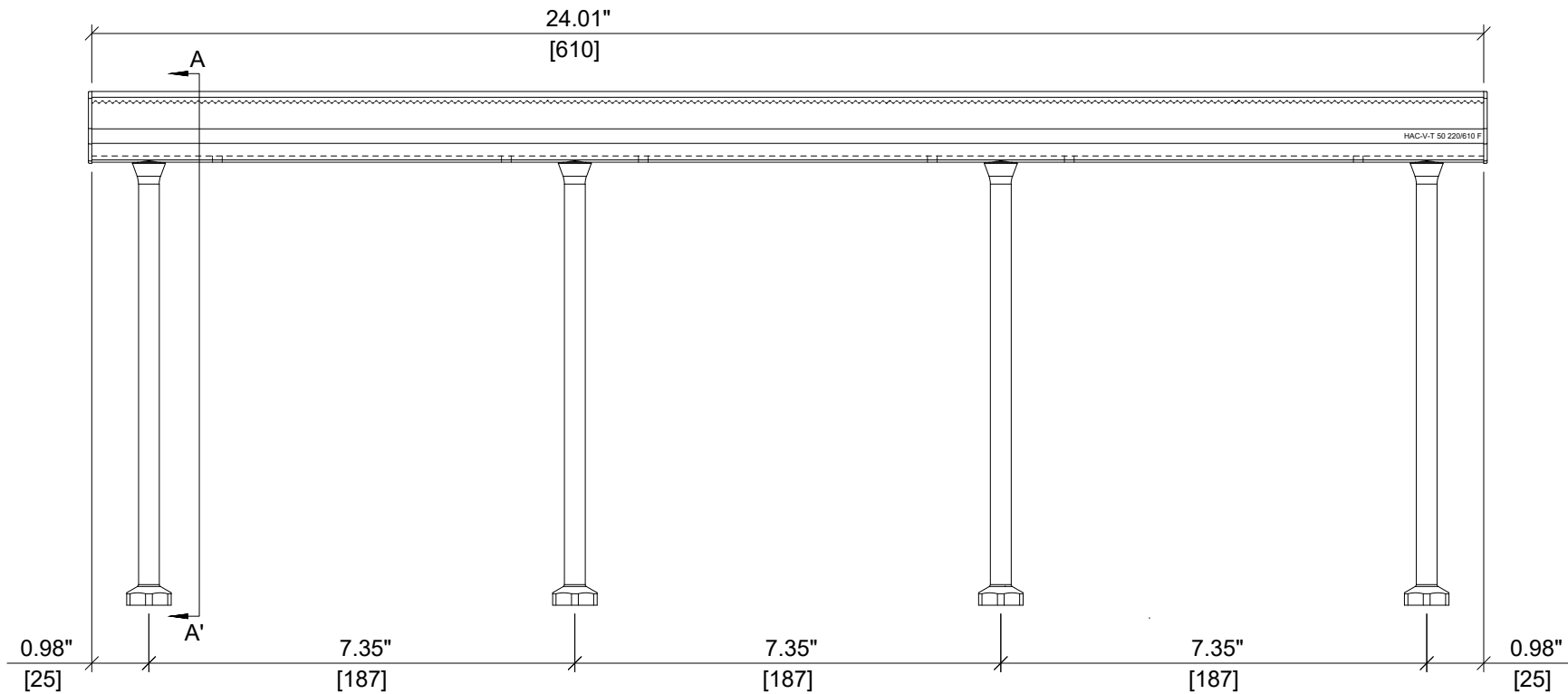
PLAN VIEW



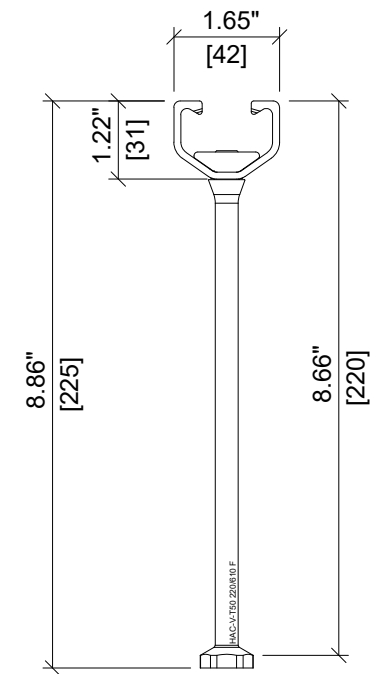
| | |
|--------------------------------|---|
| ITEM NUMBER: 2331628 | CHANNEL LIP: SERRATED  |
|--------------------------------|---|

ITEM DESCRIPTION:
HAC-V-T50 220/550 F

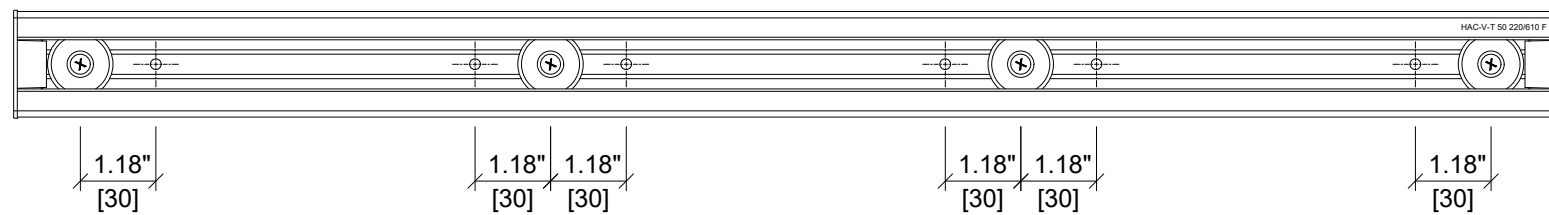





ELEVATION VIEW



SECTION A-A'



PLAN VIEW

| | |
|---|---|
| HILTI | |
| ITEM NUMBER: 2331629 | CHANNEL LIP: SERRATED  |
| ITEM DESCRIPTION: HAC-V-T50 220/610 F | |

