

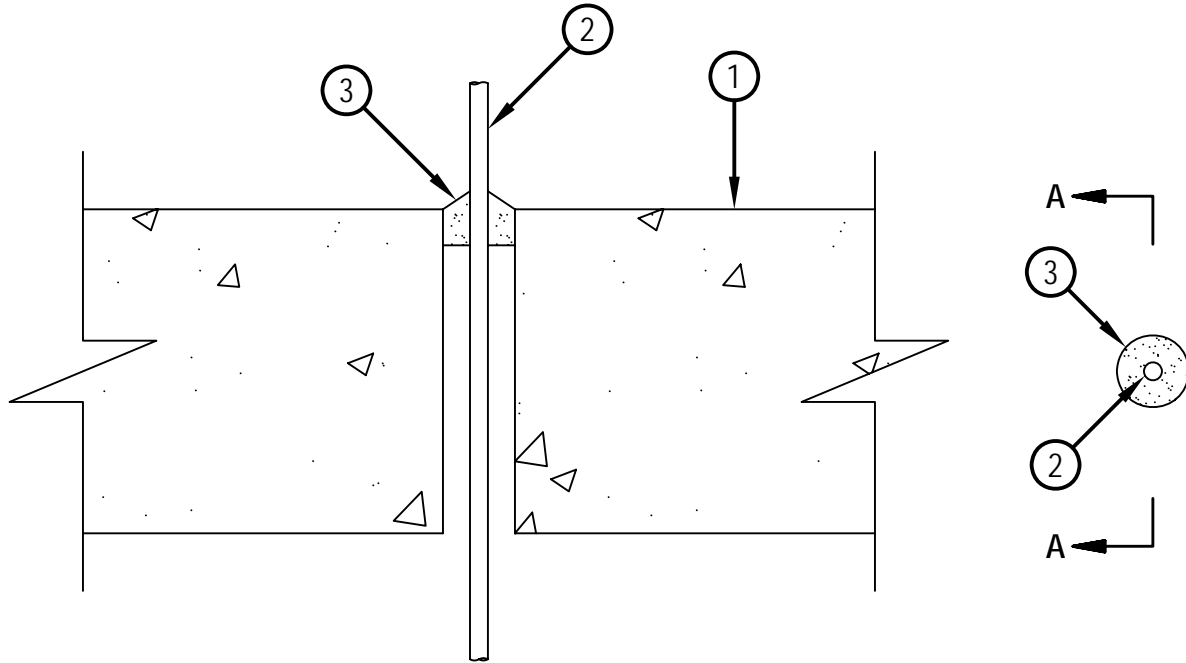


Classified by
Underwriters Laboratories, Inc.
to UL 1479 and CAN/ULC-S115

System No. C-AJ-3138

F Rating -- 3 Hr
T Rating -- 2 Hr

CAJ 3138



SECTION A-A

1. Floor or Wall Assembly -- Min 4-1/2 in. thick reinforced lightweight or normal weight (100-150 pcf) concrete. Wall may also be constructed of any UL Classified Concrete Blocks*. Max diam of opening is 1 in.

See Concrete Blocks (CAZT) category in the Fire Resistance Directory for names of manufacturers.

2. Cables -- One cable to be installed either concentrically or eccentrically within the firestop system. Cables to be rigidly supported on both sides of floor or wall assembly. The following type and size of copper conductor cable may be used:

A. Max 25 pair No. 24 AWG (or smaller) polyvinyl chloride (PVC) insulated and jacketed telephone cables. The annular space shall be min 1/4 in. to max 1/2 in.

3. Fill, Void or Cavity Material* -- Putty -- Min 1/2 in. thickness of putty applied within the annulus, flush with top surface of floor or with both surfaces of wall. Additional fill material to be installed such that a min 1/4 in. crown is formed around the penetrating item and top surface of floor or both surfaces of wall.

HILTI CONSTRUCTION CHEMICALS, DIV OF HILTI INC -- CP 618 Firestop Putty Stick

*Bearing the UL Classification Mark



Hilti Firestop Systems

Reproduced by HILTI, Inc. Courtesy of
Underwriters Laboratories, Inc.

June 06, 1998