

4.2 MQ System Components — Load Data and Material Specifications

MQV Flat connectors

Product Features

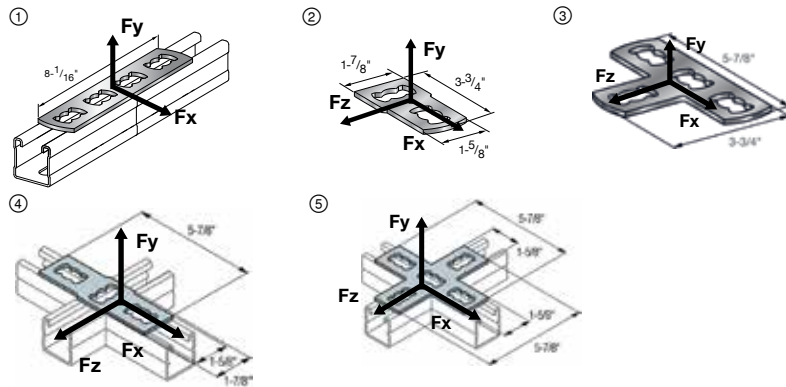
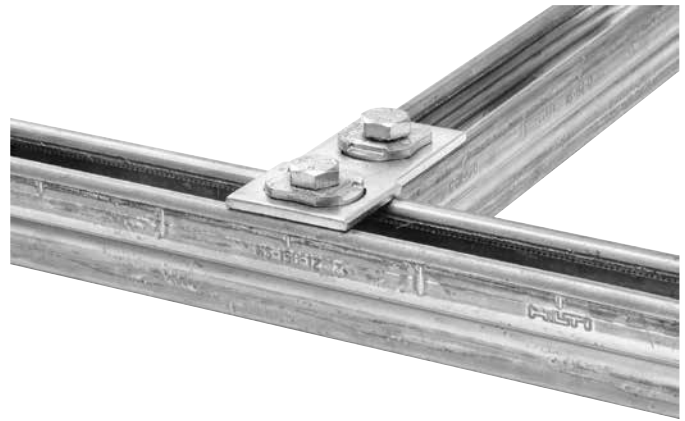
- Helps reduce inventory costs
- Fast and easy installation helps complete jobs more quickly to reduce labor costs
- Utilizes Hilti Pushbutton technology

Material Specifications

Material	Carbon steel
Material thickness	3/16" (4 mm)
Finish	Hot-dipped galvanized, min. 2.2 mil (55 µm), DIN EN ISO 1461, ASTM A153 Electro-galvanized

Ordering Information

Description	Weight/Piece (lb)	Qty	Item No.
MQV-P4 Four Hole	① 0.415	10	369644
MQV-P4-F Four Hole (HDG)	① 0.415	10	304156
MQV-P2 Two Hole Tee	② 0.220	10	370630
MQV-T Four Hole Tee	③ 0.432	10	369645
MQV-P3 Three Hole Cross	④ 0.309	10	370629
MQV-P5 Five Hole Cross	⑤ 0.309	10	370631



Technical Data Allowable Loads¹

Description	Fx	Fy	Fz
MQV-P4	1125	1270	-
MQV-P4 (HDG)	1125	1270	1125
MQV-P2	1125	1270	1125
MQV-T	1125	1270	1125
MQV-P3	1125	1270	1125
MQV-5	1125	1270	1125

¹ Based on a safety factor of 2.2