

5.0 Installation System Hangers

5.5 Strut Clamps

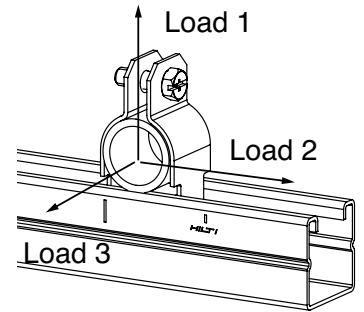
MH-CB Strut clamps — copper

Product Features

- Sized to fit copper tubing and pipes
- Copper painted
- One piece out of the box — simply break apart and install
- Innovative design requires no nuts for fast and easy assembly

Material Specifications

Material	Carbon steel
Finish	Copper painted
Conforms with	<ul style="list-style-type: none"> • Federal specifications WW-H-171E (Type 59) • Manufacturers Standardization Society MSS-SP-58 (Type 59)



Ordering Information / Technical Data

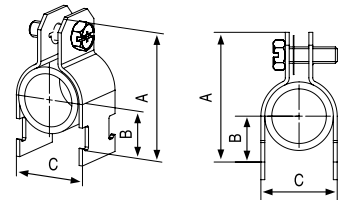
Description	Allowable Load 1 (lb) ¹	Allowable Load 2 (lb) ¹	Allowable Load 3 (lb) ¹	Box Qty	Item No.
MH-CB 3/8"	400	75	50	100	2008836
MH-CB 1/2"	400	75	50	100	2008837
MH-CB 3/4"	400	75	50	100	2008838
MH-CB 1"	600	75	50	100	2008839
MH-CB 1-1/4"	600	75	50	100	2008840
MH-CB 1-1/2"	600	100	50	100	2008841
MH-CB 2"	600	100	50	50	2008842
MH-CB 2-1/2"	800	125	75	50	2008843
MH-CB 3"	800	125	75	25	2008844
MH-CB 4"	800	125	75	25	2008845

¹ Based on a safety factor of 3 for Load 1 and 2.3 for Load 2 and 3 according to AISI 2007. Allowable loads are based on loading in one direction only.

Note: This clamp is not designed for corrosion or electrolysis resistance. Copper painting is for identification purposes only.

Technical Data

Designation	Bolt Diameter x Length	Wrench Size	Tightening Torque (in-lb)	Material Thickness Gauge	Dimension A (in)	Dimension B (in)	Dimension C (in)
MH-CB 3/8"	5/16"-18 UNC x 1"	1/2"	60	16	1.73	0.54	0.62
MH-CB 1/2"	5/16"-18 UNC x 1"	1/2"	60	16	1.87	0.61	0.74
MH-CB 3/4"	5/16"-18 UNC x 1"	1/2"	60	16	2.07	0.73	0.99
MH-CB 1"	5/16"-18 UNC x 1"	1/2"	60	14	2.35	0.85	1.27
MH-CB 1-1/4"	5/16"-18 UNC x 1"	1/2"	60	14	2.62	0.98	1.52
MH-CB 1-1/2"	5/16"-18 UNC x 1"	1/2"	60	14	2.88	1.11	1.77
MH-CB 2"	5/16"-18 UNC x 1"	1/2"	60	14	3.40	1.35	2.27
MH-CB 2-1/2"	3/8"-16 UNC x 1-1/4"	9/16"	60	12	3.94	1.61	2.84
MH-CB 3"	3/8"-16 UNC x 1-1/4"	9/16"	60	12	4.45	1.85	3.34
MH-CB 4"	3/8"-16 UNC x 1-1/4"	9/16"	60	12	5.46	2.35	4.34



Installation Instructions

