

5.0 Installation System Hangers

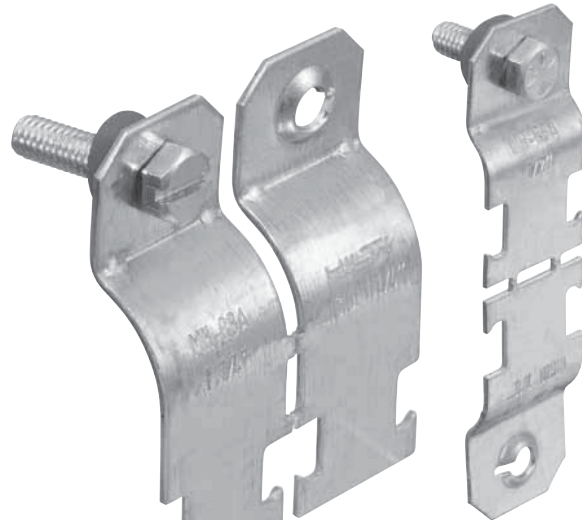
MH-RBA Strut Clamp — Rigid

Product Features

- One piece out of the box, simply break apart and install
- Innovative design requires no nuts for fast and easy assembly
- Sized for mechanical metallic tubing and pipes

Material Specifications

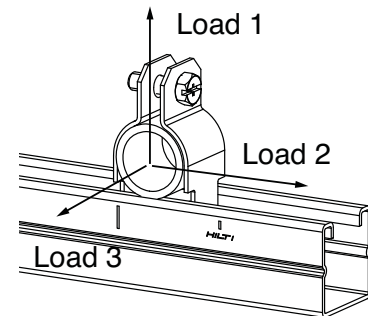
Material	Carbon steel
Finish	Pre-galvanized



Ordering Information / Technical Data

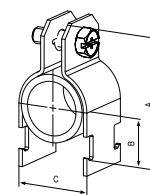
Description	Allowable Load 1 (lb) ¹	Allowable Load 2 (lb) ¹	Allowable Load 3 (lb) ¹	Box Qty	Item No.
MH-RBA 1/2" PG	400	50	40	100	02008800
MH-RBA 3/4" PG	400	50	40	100	02008801
MH-RBA 1" PG	600	75	50	100	02008802
MH-RBA 1-1/4" PG	600	75	50	50	02008803
MH-RBA 1-1/2" PG	600	100	50	50	02008804
MH-RBA 2" PG	600	100	60	50	02008805
MH-RBA 2-1/2" PG	800	100	60	25	02008806
MH-RBA 3" PG	800	200	150	25	02008807
MH-RBA 4" PG	800	200	150	25	02008808
MH-RBA 6" PG	1000	200	150	10	02008809

¹ Based on a safety factor of 3 for Load 1 and 2.3 for Load 2 and 3 according to AISI 2007. Allowable loads are based on loading in one direction only.



Technical Data

Designation	Bolt Diameter x Length	Wrench Size	Tightening Torque (in-lb)	Material Thickness Gauge	A Dimension (in)	B Dimension (in)	C Dimension (in)
MH-RBA 1/2" PG	5/16"-18 UNC x 1"	1/2"	60	16	2.02	0.70	0.96
MH-RBA 3/4" PG	5/16"-18 UNC x 1"	1/2"	60	16	2.25	0.81	1.17
MH-RBA 1" PG	5/16"-18 UNC x 1"	1/2"	60	14	2.55	0.94	1.46
MH-RBA 1-1/4" PG	5/16"-18 UNC x 1"	1/2"	60	14	2.91	1.11	1.81
MH-RBA 1-1/2" PG	5/16"-18 UNC x 1"	1/2"	60	14	3.16	1.23	2.05
MH-RBA 2" PG	5/16"-18 UNC x 1"	1/2"	60	14	3.64	1.47	2.52
MH-RBA 2-1/2" PG	3/8"-16 UNC x 1-1/4"	9/16"	60	12	4.19	1.72	3.09
MH-RBA 3" PG	3/8"-16 UNC x 1-1/4"	9/16"	60	12	4.81	2.03	3.71
MH-RBA 4" PG	3/8"-16 UNC x 1-1/4"	9/16"	60	12	5.82	2.53	4.71
MH-RBA 6" PG	3/8"-16 UNC x 1-1/4"	9/16"	60	10	7.97	3.59	6.89



Installation Instructions

