

Shower and Floor Drain

Product description

- An economical solution to address shower and floor drain applications
- The same trusted firestop material as the tub box
- Two variations: (1) extended sleeve and (2) hub coupling
- Designed to accommodate solvent welding to 2" PVC pipes

Product dimensions

- Extended Sleeve: 5 -3/4" base diameter 8" height
- Hub Coupling: 5-3/4" base diameter; 2-13/16" height

Application dimensions

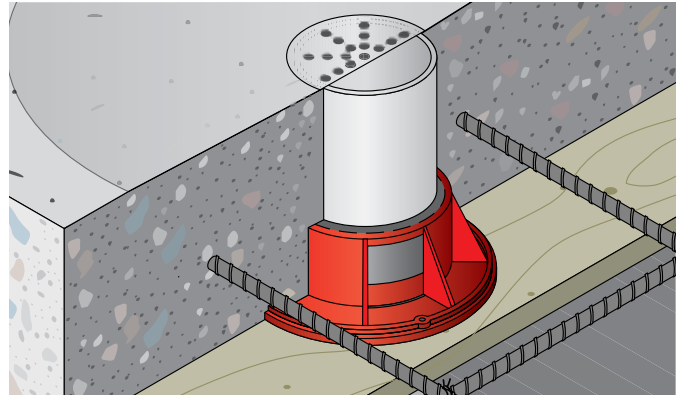
- Extended Sleeve: 2-3/8" inner diameter (for use with 2" PVC pipe)
- Hub Coupling: 2-3/8" inner diameter (for use with 2" PVC pipe)

Minimum slab thickness

- 4-1/2"

Color

- Extended Sleeve: red flange with white extended sleeve
- Hub Coupling: red flange with white hub coupling



Aerator Adapters

Product description

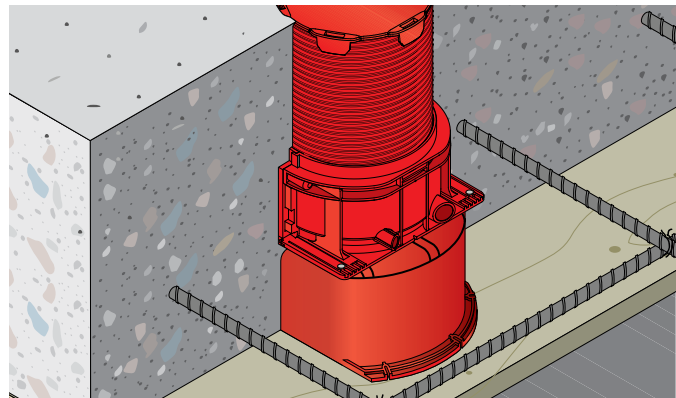
- When used in conjunction with the appropriate cast-in place device, creates an underside void for the installation of a single stack waste pipe aerator system

Product features

- Up to a 4-1/2" recess created in the slab to reduce final ceiling height
- Allows for vertical, horizontal and angle movement to simplify plumbing installations
- Excellent sound insulation

For use with

- Soil and Aerator assemblies



Technical Data	Aerator-Adapter
Product dimensions (LxWxH)	3": 6" x 6-7/8" x 3" 4": 6" x 8-3/4" x 4-1/2"
Void created	3": 5-3/4" x 2-3/8" (DxH) 4": 5-7/8" x 7.5" x 4-1/2" (LxWxH)
Minimum slab thickness	4-1/2"
Color	Red
Storage	Store in dry location
Tested in accordance with • UL 1479 • ASTM E 814 • ASTM G21	

Installation instructions for Aerator Adapter

Notice

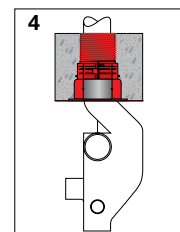
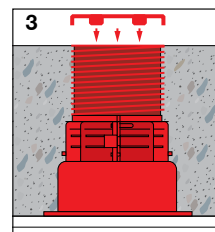
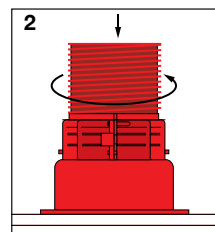
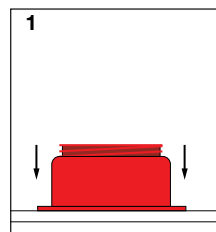
- Before handling, read Material Safety Data Sheet and product label for safe usage and health information.
- Instructions below are general guidelines — always refer to the applicable drawing in the UL Fire Resistance Directory or Hilti Firestop Systems Guide for complete installation information

Note: Before purchasing aerator adapters for your project, please confirm the following:

- aerators may be employed on the project as per local codes and construction allowances
- minimum concrete floor slab thickness

Instructions for use

1. Secure the assembly to the floor deck using nails or screws.
2. Attach the Aerator Adapter to the appropriate cast-in place device.
3. Before pouring concrete, confirm that the cover cap of the assembly is properly secured. This will help prevent flowing concrete into the CP 680-P/M during the concrete pour.
4. Complete installation by installing cast iron aerator and pipe.



Hilti. Outperform. Outlast.