

2.0 PRODUCTIVITY COMPONENTS

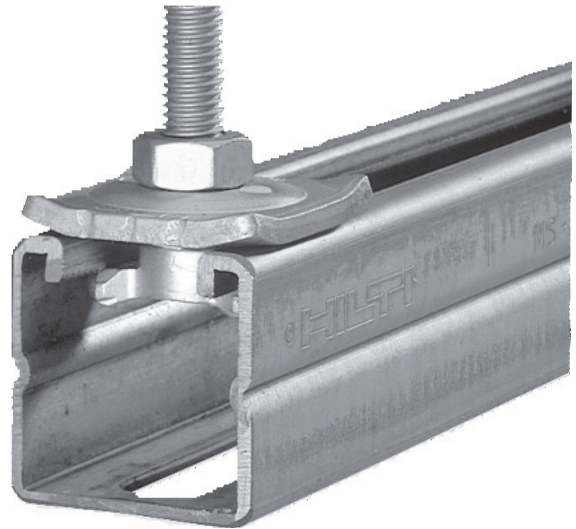
MQA / MQA-S SADDLE NUT

Product Features

- A single part replacing spring nuts and base plates
- For all strut profiles

Material Specifications

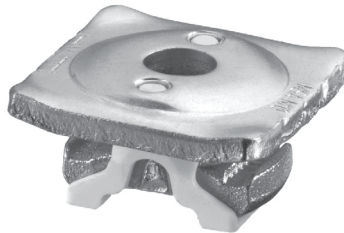
Materials	Carbon steel
Finishes	Electro-Galvanized



Ordering Information / Technical Data

Description	Connection Thread	Weight/Piece (lb)	Qty	Tinst (ft-lb)	Shear Load Value MFMA-4 (1) (lb)	Shear Load Value HS 12ga (lb)	Tension Load Value MFMA-4 (lb)	Tension Load Value HS 12ga (lb)	Item No.
MQA-F 1/4"	1/4"	0.194	50	7	180	415	755	755	377884
MQA-F 3/8"	3/8"	0.192	50	15	200	1125	1800	1800	377885
MQA-F 1/2"	1/2"	0.183	50	30	280	1125	1800	1800	377886
MQA-F 5/8"	5/8"	0.185	50	30	280	1125	1800	2100	377887
MQA-S 3/8"	3/8"	0.116	50	14	100	1125	665	705	2293069

(1) Shear Load not permissible for sustained gravity loads per ASCE 7 7-2016 Section 13.4.6



Safety Factor

Description	Shear Load Value MFMA-4	Shear Load Value HS 12ga	Tension Load Value MFMA-4	Tension Load Value HS 12ga
	Safety Factor	Safety Factor	Safety Factor	Safety Factor
MQA-F 1/4"	4.0	2.2	3.0	2.2
MQA-F 3/8"	3.3	2.2	3.0	2.2
MQA-F 1/2"	3.5	2.2	3.0	2.2
MQA-F 5/8"	3.5	2.2	3.5	2.2
MQA-S 3/8"	3.0	2.2	3.0	2.2

