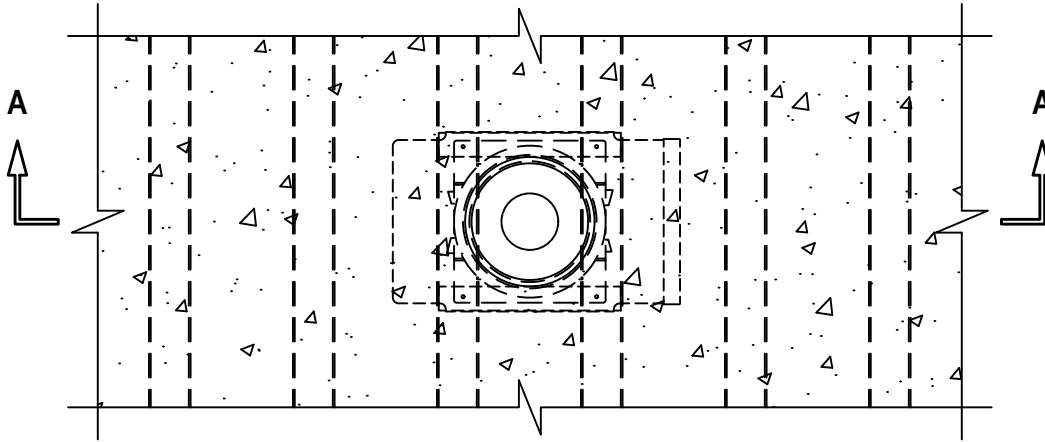


UL SYSTEM NO. F-A-3072

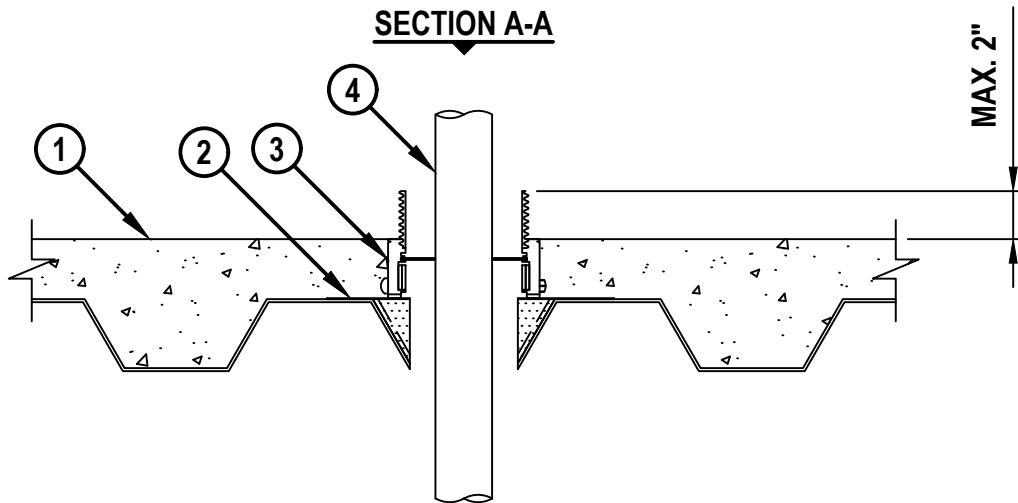
CABLE BUNDLE THROUGH CONCRETE FLOOR OVER METAL DECKING ASSEMBLY

F-RATING = 3-HR.
T-RATING = 1/2-HR.

TOP VIEW



SECTION A-A



1. LIGHTWEIGHT OR NORMAL WEIGHT CONCRETE FLOOR ASSEMBLY (MINIMUM 2-1/2" THICK) OVER METAL DECKING (UL/cUL CLASSIFIED D900 SERIES) WITH 2" OR 3" FLUTED DECKS (3-HR. FIRE-RATING).
2. HILTI CFS-CID MD PLT [W2" OR W3"] METAL DECK PLATFORM SECURED TO DECK WITH ONE FASTENER IN EACH CORNER.
3. HILTI CFS-CID MD [M OR P] 2"/2.5" FIRESTOP CAST-IN DEVICE FOR METAL DECK SECURED TO HILTI CFS-CID MD PLT METAL DECK PLATFORM WITH SCREWS.
4. NOMINAL 4/C 500 KCMIL COPPER CONDUCTOR PVC JACKETED ALUMINUM OR STEEL CLAD TEK CABLE.



HILTI, Inc.
Plano, Texas USA (800) 879-8000

| | |
|-------|---------------|
| Sheet | 1 of 1 |
| Scale | 1/8" = 1" |
| Date | June 05, 2019 |

Drawing No.
**FA
3072a**

Saving Lives through Innovation and Education

FA3072a.060519